


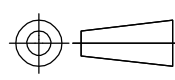
THIS DRAWING IS UNPUBLISHED. RELEASED FOR PUBLICATION
 © COPYRIGHT 2005 BY TYCO ELECTRONICS CORPORATION. ALL RIGHTS RESERVED.

LOC	DIST	REVISIONS					
		P	LTR	DESCRIPTION	DATE	DWN	APVD
AJ	00		C1	REV PER ECO 06-029805	2/6/2007	DW	JL

1. SPECIAL PACKAGING: PACKAGE
 10 PIECES PER WINDOW BOX

OBSOLETE	9-221128-4	9-414586-2
OBSOLETE	9-221128-9	9-414586-1
OBSOLETE	9-221128-0	9-414586-0
OBSOLETE	2-221128-0	414586-5
OBSOLETE	1-221128-8	414586-4
OBSOLETE	221128-2	414586-2
OBSOLETE	221128-1	414586-1

①	PLUG	PART NUMBER
---	------	-------------

THIS DRAWING IS A CONTROLLED DOCUMENT.		DWN M.E. COWHER 13MAY93	 Tyco Electronics Corporation Harrisburg, PA 17105-3608	
DIMENSIONS: INCHES		CHK M. PHILLIPS 17MAY93		
		APVD M. PHILLIPS 17MAY93	NAME PLUG, COMMERCIAL BNC	
TOLERANCES UNLESS OTHERWISE SPECIFIED:		PRODUCT SPEC	RESTRICTED TO	
0 PLC ± -		APPLICATION SPEC	SIZE	CAGE CODE
1 PLC ± -		—	A3	00779
2 PLC ± -		—	DRAWING NO	
3 PLC ± -		—	C-414586	
4 PLC ± -		—	—	
ANGLES ± -		WEIGHT	—	
MATERIAL		CUSTOMER DRAWING		
FINISH		SCALE 1:1		
—		SHEET 1 OF 1		
—		REV C1		