

PRODUCT NUMBER
75880-YXXLF

RoHS COMPLIANT & COMPATIBLE, SEE NOTE 7

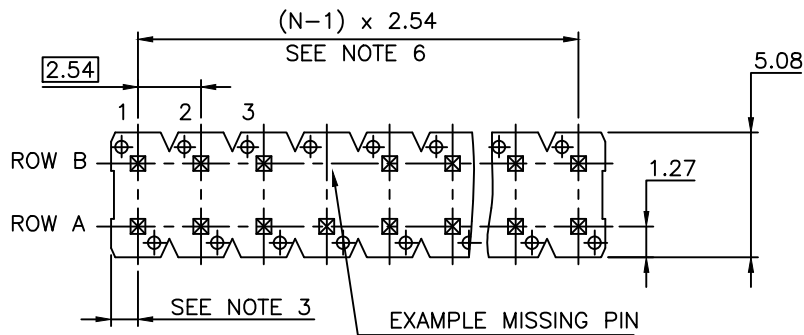
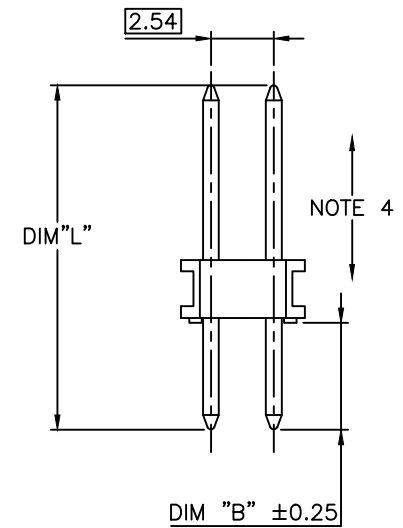
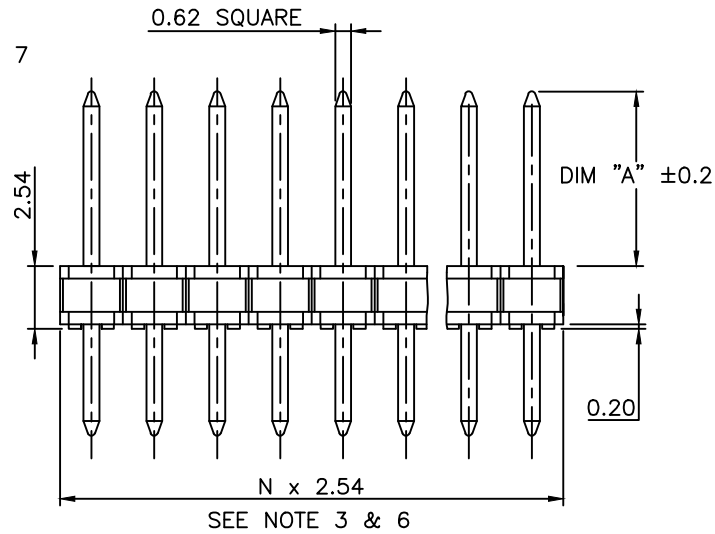
PIN STYLE SEE SHEET 2

PLATING:

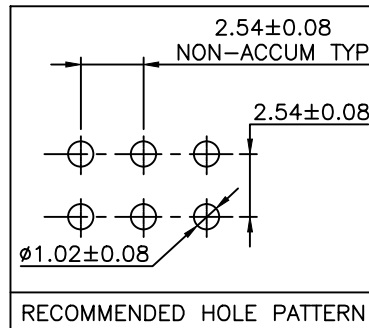
- 1 = 0.76µm FULL GOLD/GXT
- 3 = 2µm MIN MATTE TIN FULL PLATED
- 8 = 0.38µm FULL GOLD/GXT
- 1.27µm MIN NICKEL UNDERPLATING

NOTES:

1. HOUSING MAT'L : HIGH TEMPERATURE THERMOPLASTIC FLAME RETARDANT PER UL94-VO, COLOR BLACK.
2. PIN MATERIAL : PHOSPHOR BRONZE.
3. DIM 1.27^{+0.03}-0.13 FOR MOULDED SIDE(S) ONLY. IF SIDE(S) ARE BROKEN, DIM 1.02 TO 1.7 MAX APPLIES.
4. PIN PUSH OUT FORCE : 12N MIN.
5. PRODUCT PACKAGED IN POLY BAGS.
6. TO DETERMINE DIMENSIONS :
N = NUMBER OF POSITIONS
EXAMPLE : 8 POS N x 2.54 = 20.32mm
7. RoHS COMPATIBLE PRODUCT SPECIFICATIONS
 - a - "LF" MEANS THE PRODUCT IS LEAD-FREE
 - b - MANUFACTURING PROCESS COMPATIBILITY
 - THE HOUSING WILL WITHSTAND EXPOSURE TO 260°C ±5°C SOLDER BATH TEMPERATURE FOR 5 SECONDS IN A WAVE SOLDER APPLICATION WITH A 1.6mm MIN THICK CIRCUIT BOARD.
 - c - LABELING:
- MEETS PACKAGING SPECS AS PER GS-14-920
 - d - LEGAL STATEMENT: SEE GS-47-0004

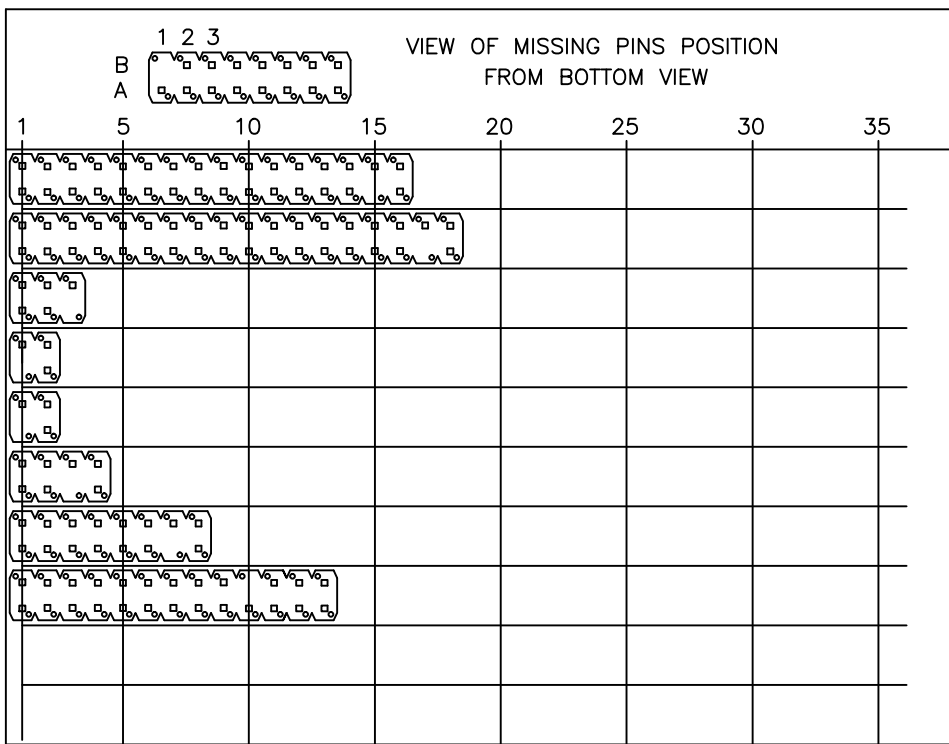


BOTTOM VIEW



mat'l. code SEE P/N		surface ISO 1302 ✓	tolerance ISO 406 ISO 1101	projection mm	product family BSTIK
ltr	ecn no	dr	date	tolerances unless otherwise specified	title
AE	F20166	LMU	02.02.28	angles .x ±0.3	HEADER,STR,DR POLARIZED 2.54mm
AF	F03-0201	LMU	03.04.18	Linear .xx ±0.15	
AG	F05-0186	LMU	05.05.24	xxx ±0.05	scale 5:1
AH	F06-0196	LMU	06.06.20	dr D LEGRAND	99.01.05
AJ	F08-0148	JCO	08.05.27	enrg JMC	99.01.05
AK	F10-0002	JCO	10.01.20	chr	
AL	B-19264	LMU	14.11.03	appd JMC	99.01.05
sheet index	revision sheet	AL	AA	AC	
		1	2	3	

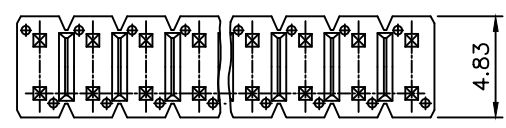
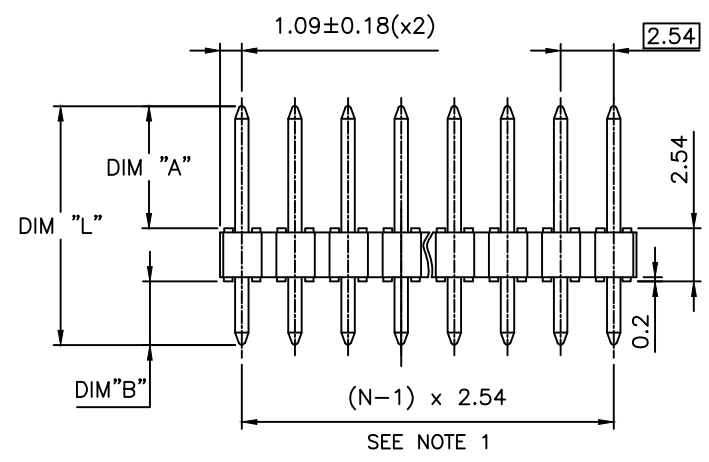
PIN STYLE	PRODUCT DEFINITION			
	POS	"A" ±0.15	("B") REF	("L") REF
07	2X16	5.72	2.54	10.8
09	2X18	5.72	2.54	10.8
13	2X03	5.72	3.05	11.3
21	2X02	5.72	2.54	10.8
26	2X02	5.84	2.54	10.92
27	2X04	5.84	2.54	10.92
28	2X08	5.84	2.54	10.92
30	2X13	5.72	3.05	11.3
36	SEE SHEET 5			
37				



Copyright FCI

mat'l. code		surface ISO 1302 <input checked="" type="checkbox"/> ISO 406 ISO 1101		tolerance tolerances unless otherwise specified		projection 		product family BSTIK	
ltr	ecn no	dr	date	angles Linear		mm 		title HEADER,STR,DR POLARIZED 2.54mm	
X	F90100	DLE	99.01.05			scale 1:1		dwg no 75880	
Y	F05-0186	LMU	05.05.25					sheet 2 of - size A3	
AA	F06-0196	LMU	06.06.20					type CUSTOMER Drawing	
sheet index		revision sheet		dr d LEGRAND 99.01.05		engr COMPAGNON J 98.01.05		FCI	
				chr		appd JMC 99.01.05			

PIN STYLE	PRODUCT DEFINITION			VIEW OF MISSING PINS POSITION FROM BOTTOM VIEW								
	POS	"A" ±0.15	("B") REF	("L") REF	1	5	10	15	20	25	30	35
36	2X04	5.72	3.03	11.3								
37	2X06	5.72	3.03	11.3								



NOTE :
 1- TO DETERMINE DIMENSIONS :
 N = NUMBER OF POSITIONS
 EXAMPLE : 8 POS N x 2.54 = 20.32mm

BODY DESIGN AND DIMENSIONS ONLY FOR FOLLOWING P/NUMBER :
 75880-336LF ;75880-337LF

MATERIAL BODY :
 HIGH TEMPERATURE THERMOPLASTIC

mat'l. code		surface		tolerance		projection		product family	
		ISO 1302 ✓		ISO 406 ISO 1101				BSTIK	
ltr		ecn no dr date		tolerances unless otherwise specified		mm		title	
X		F90100 DLE 99.01.05		angles		.x ±0.3		HEADER,STR,DR POLARIZED 2.54mm	
Y		F05-0186 LMU 05.05.25		linear		.xx ±0.15			
AA		F06-0196 LMU 06.06.20				xxx ±0.05		scale 1:1	
AB		F10-0002 JCO 10.01.20		dr d		LEGRAND		99.01.05	
AC		B-19264 LMU 14.11.03		enr		COMPAGNON J		98.01.05	
				chr					
				appd		JMC		99.01.05	
sheet index		revision sheet						type customer Drawing	



Copyright FCI