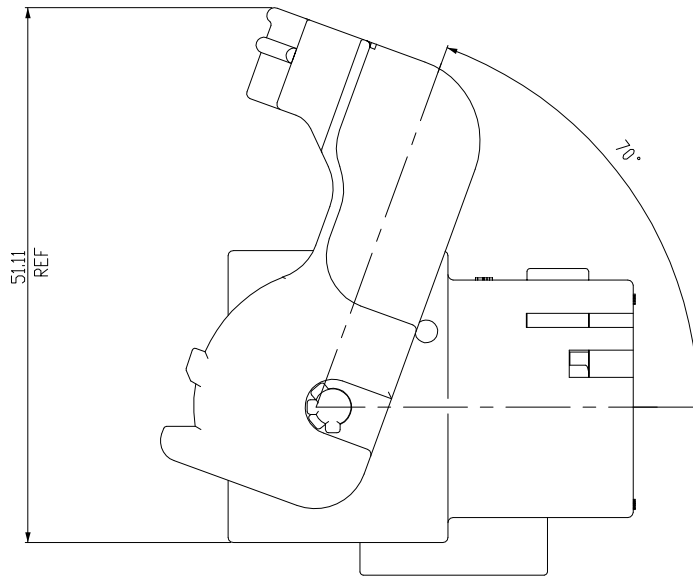
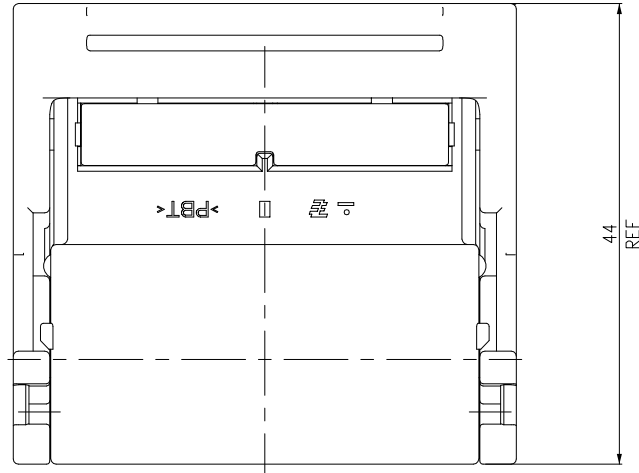
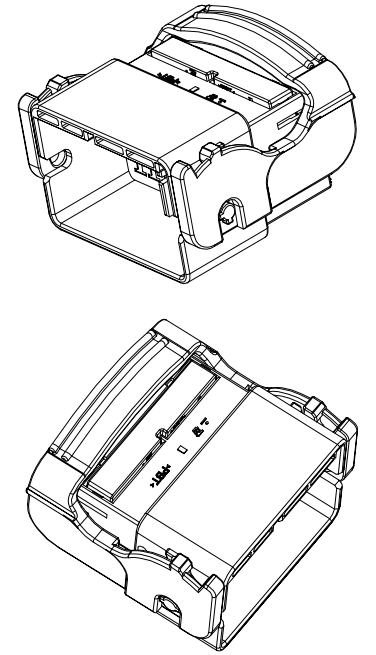


THIS DRAWING IS UNPUBLISHED. RELEASED FOR PUBLICATION 20
 © COPYRIGHT 20 BY - ALL RIGHTS RESERVED.

REVISIONS					
P	LTR	DESCRIPTION	DATE	DWN	APVD
A		RELEASED	03.APR.'09	IS	HG
B		REVISED (ECR-10-008163)	15.APR.'10	WY	HG
B1		REVISED (ECR-13-014452)	06.SEP.'13	JM	HG



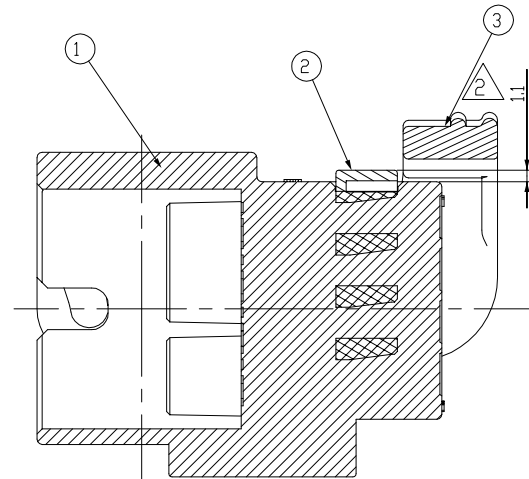
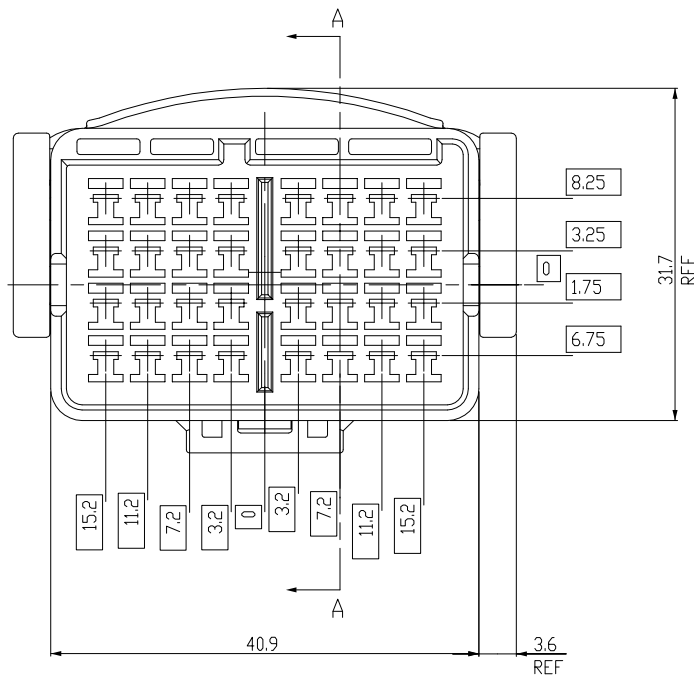
[PRELOCK POSITION]



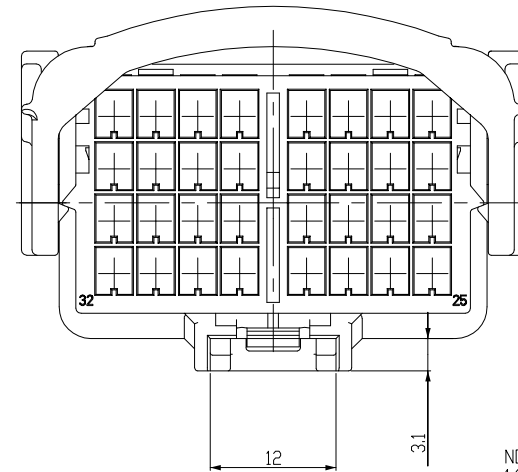
ISO VIEW

[TABLE 1]

TYPE	P/N	WIRE SIZE	MATERIAL/FINISH
.090	0-368088-1	0.3-0.5	Cu/NISI ALLOY PRE-TIN
	0-368087-1	0.85-1.25	
	0-368086-1	2.0	



SECTION A-A



- NOTE
 1.GENERAL TOLERANCE: ±0.3 ±3°
 2.CONDITION OF DELIVERY: DBL IN 1ST.LOCKING POSITION
 3.APPLIED PLUG ASSY P/N:X-1897556-X
 4.APPLIED TAB.CONTACT P/N: TABLE1
 5.CHECK CONVERSION KEY CODE

5 SHAPE OF CONVERSION TYPE	
0-1897552-1 (WHITE)	1-1897552-2 (BLACK)

NO	COLOR	MATERIAL	P/N	DESCRIPTION	Q'TY	ASSY P/N
3	GRAY	PB-GF30	0-1897555-3	LEVER HSG	1	0-1897552-1
2	YELLOW	PBT	0-1897554-5	DBL HSG	1	1-1897552-2
1	BLACK	PBT	1-1897553-2	CAP HSG	-	
1	NATURAL	PBT	0-1897553-1	CAP HSG	1	

THIS DRAWING IS A CONTROLLED DOCUMENT.

DIMENSIONS: mm TOLERANCES UNLESS OTHERWISE SPECIFIED:
 0 PLC ±
 1 PLC ±
 2 PLC ±
 3 PLC ±
 4 PLC ±
 ANGLES ±
 FINISH SEE TABLE

3RD ANGLE PROJECTION

MATERIAL -

DWN JM JEON
 CHK JW JUNG
 APVD HG CHO
 PRODUCT SPEC
 APPLICATION SPEC
 WEIGHT -

NAME
 .090 32PIN CAP ASSY(LIF)

TE Connectivity

SIZE A2 CAGE CODE 00779 DRAWING NO C=1897552 RESTRICTED TO -

CUSTOMER DRAWING SCALE 2:1 SHEET 1 OF 1 REV B1