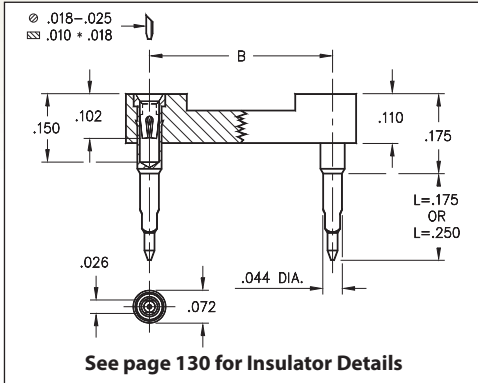
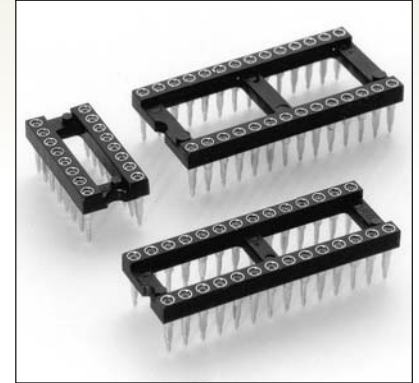



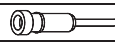

DUAL-IN-LINE SOCKETS

SERIES 104 • SOLDERLESS PRESS-FIT • OPEN FRAME



- Designed for solderless press-fit into plated through-holes
- Pin lengths are suitable for .062" and .093"-.125" thick panels
- Required plated through hole is .036"-.041". Use a 1.1mm drill prior to plating
- Series 104 uses MM #0477 or MM #0478 pins with a BeCu #30 contact, rated at 3 amps. See page 162 for details
- Insulators are high temperature thermoplastic
- For Electrical, Mechanical and Environmental Data, see page 264 for details



Total number of pins	Pin Spacing			Quantity per tube	ORDERING INFORMATION				
	A	B	C		L = .175 (for .062" thick panel)	L = .250 (for .125" thick panel)			
10	0.5	0.2	0.3	40	104-XX-210-41-770000	104-XX-210-41-780000	 XX=Plating Code See Below		
4	0.2	0.3	0.4	102	104-XX-304-41-770000	104-XX-304-41-780000			
6	0.3	0.3	0.4	67	104-XX-306-41-770000	104-XX-306-41-780000			
8	0.4	0.3	0.4	50	104-XX-308-41-770000	104-XX-308-41-780000			
10	0.5	0.3	0.4	40	104-XX-310-41-770000	104-XX-310-41-780000			
14	0.7	0.3	0.4	28	104-XX-314-41-770000	104-XX-314-41-780000			
16	0.8	0.3	0.4	25	104-XX-316-41-770000	104-XX-316-41-780000			
18	0.9	0.3	0.4	22	104-XX-318-41-770000	104-XX-318-41-780000			
20	1.0	0.3	0.4	20	104-XX-320-41-770000	104-XX-320-41-780000			
22	1.1	0.3	0.4	18	104-XX-322-41-770000	104-XX-322-41-780000			
24	1.2	0.3	0.4	16	104-XX-324-41-770000	104-XX-324-41-780000			
28	1.4	0.3	0.4	14	104-XX-328-41-770000	104-XX-328-41-780000			
20	1.0	0.4	0.5	20	104-XX-420-41-770000	104-XX-420-41-780000			
22	1.1	0.4	0.5	18	104-XX-422-41-770000	104-XX-422-41-780000			
24	1.2	0.4	0.5	16	104-XX-424-41-770000	104-XX-424-41-780000			
28	1.4	0.4	0.5	14	104-XX-428-41-770000	104-XX-428-41-780000			
32	1.6	0.4	0.5	12	104-XX-432-41-770000	104-XX-432-41-780000			
24	1.2	0.6	0.7	16	104-XX-624-41-770000	104-XX-624-41-780000			
28	1.4	0.6	0.7	14	104-XX-628-41-770000	104-XX-628-41-780000			
32	1.6	0.6	0.7	12	104-XX-632-41-770000	104-XX-632-41-780000			
36	1.8	0.6	0.7	11	104-XX-636-41-770000	104-XX-636-41-780000			
40	2.0	0.6	0.7	10	104-XX-640-41-770000	104-XX-640-41-780000			
42	2.1	0.6	0.7	9	104-XX-642-41-770000	104-XX-642-41-780000			
48	2.4	0.6	0.7	8	104-XX-648-41-770000	104-XX-648-41-780000			
50	2.5	0.6	0.7	8	104-XX-650-41-770000	104-XX-650-41-780000			
52	2.6	0.6	0.7	7	104-XX-652-41-770000	104-XX-652-41-780000			
50	2.5	0.9	1.0	8	104-XX-950-41-770000	104-XX-950-41-780000			
52	2.6	0.9	1.0	7	104-XX-952-41-770000	104-XX-952-41-780000			
64	3.2	0.9	1.0	6	104-XX-964-41-770000	104-XX-964-41-780000			
SPECIFY PLATING CODE XX =					11	13			
Sleeve (Pin) 					10 μ" Au	10 μ" Au			
Contact (Clip) 					10 μ" Au	30 μ" Au			

