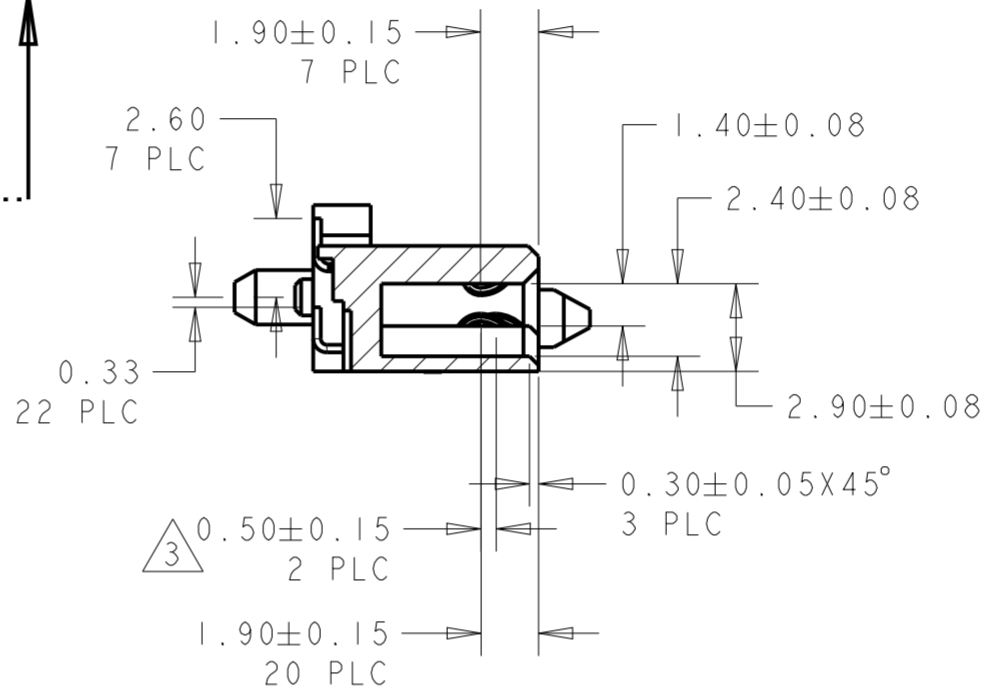
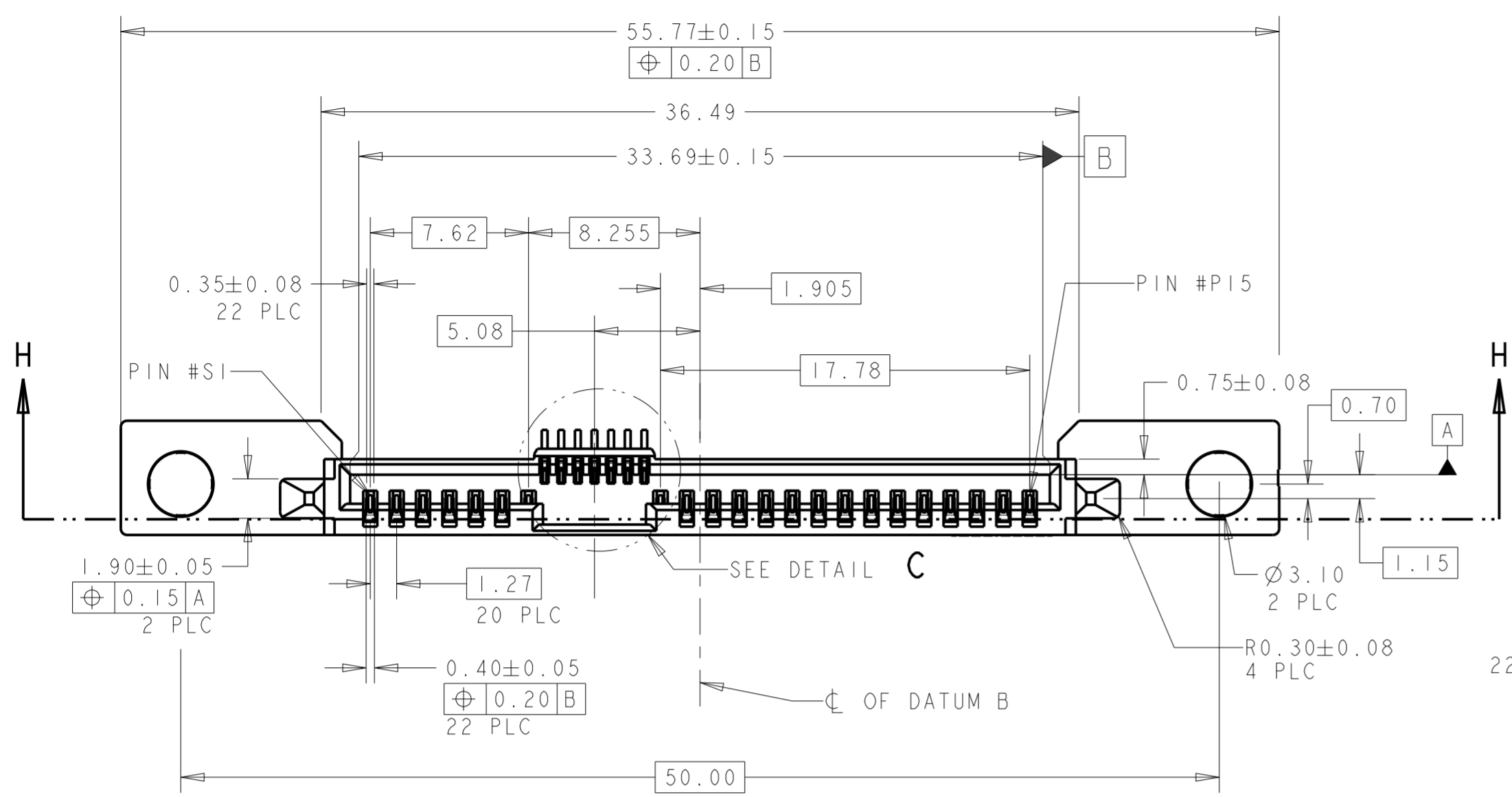
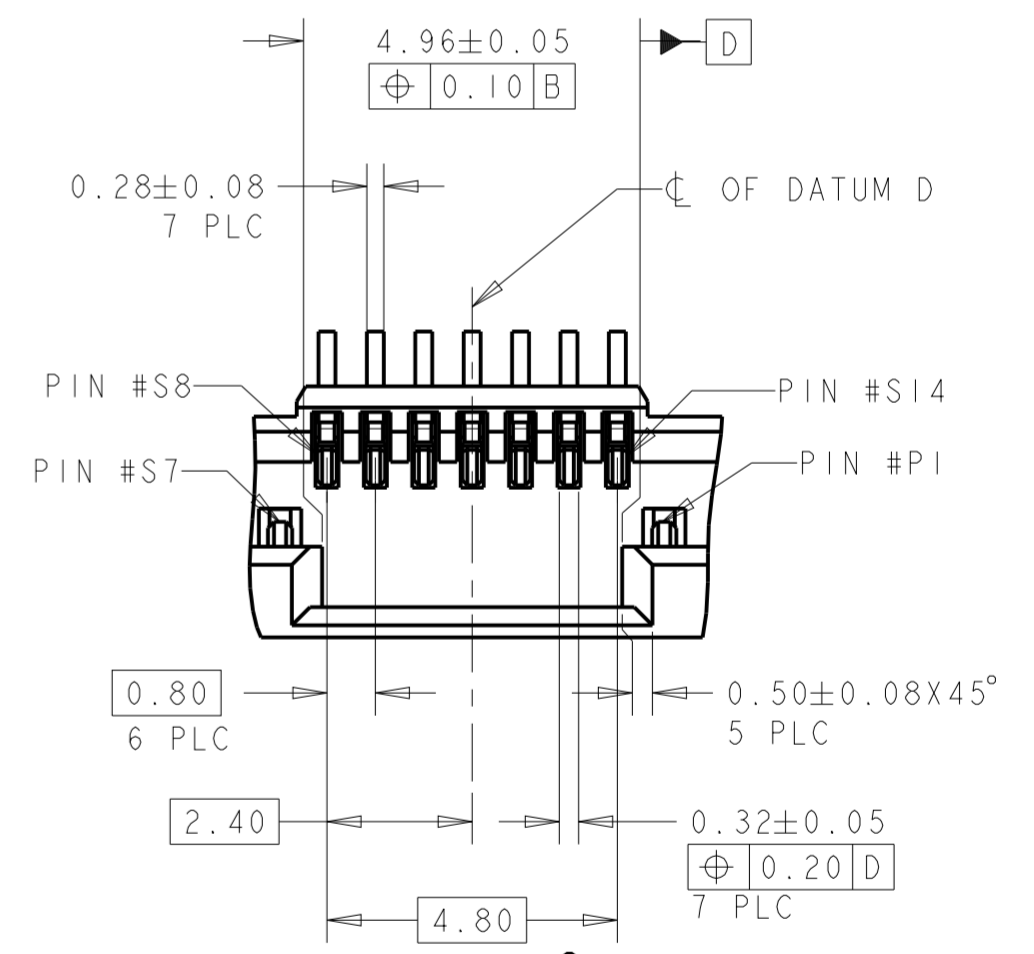
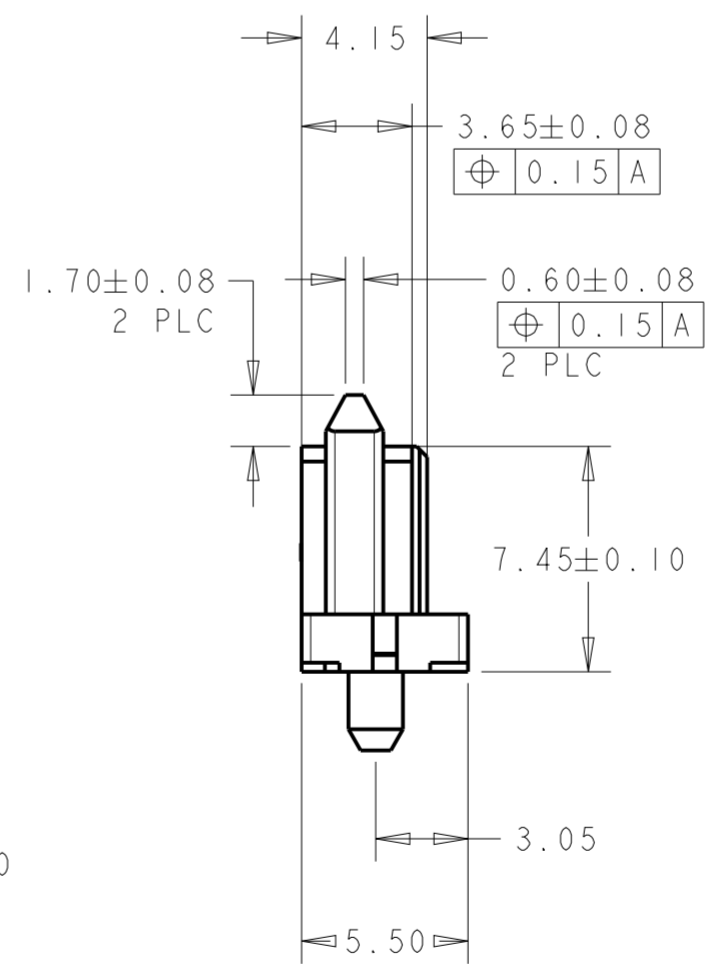
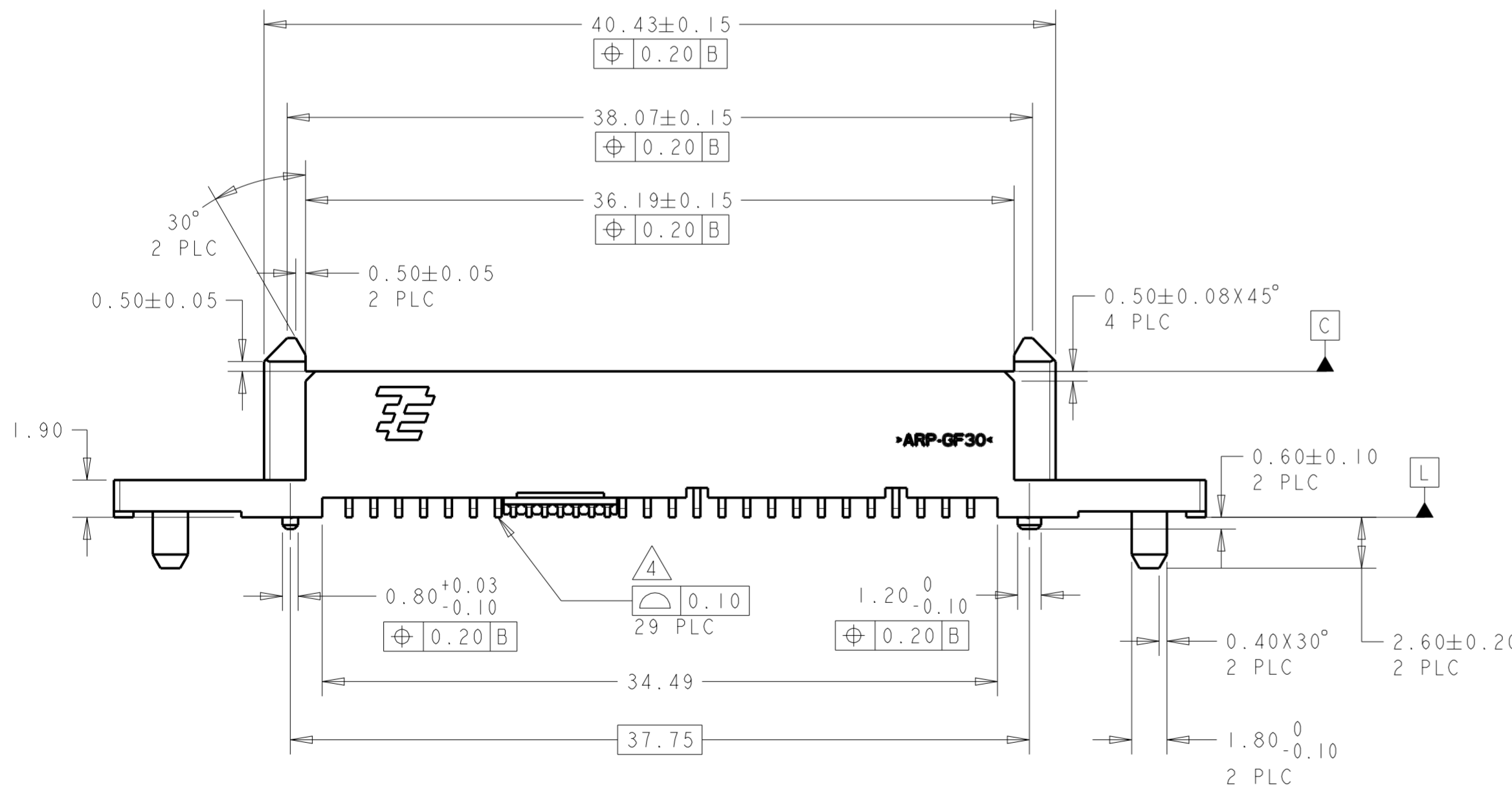


THIS DRAWING IS UNPUBLISHED. RELEASED FOR PUBLICATION .19  
 (C) COPYRIGHT 19 BY AMP INCORPORATED. ALL RIGHTS RESERVED.

REVISIONS				DATE	DWN	APVD
P	LTR	DESCRIPTION				
A		NPR PER ECR-11-005372	15MAR11	PTY	LSF	
B		REVISED PER ECR-15-000604	15JAN2015	HW	JY	



- NOTES:
- MATERIAL:  
HOUSING: HIGH TEMP THERMOPLASTIC, UL94V-0, COLOR: BLACK  
CONTACT: COPPER ALLOY  
ROUND POST: BRASS
  - FINISH:  
CONTACT AREA: MIN 0.76um GOLD PLATING  
SOLDERTAIL: MIN 2.54um MATTE TIN PLATING  
UNDERPLATE: MIN 1.27um NICKEL PLATING  
ROUND POST PLATING: MIN 2.54um TIN OVER MIN 1.27um NICKEL UNDERPLATE
  - PIN #P4 AND #P12 ONLY. PREMATING PINS
  - SOLDERTAIL TO BE 0.05 MAX ABOVE AND 0.10 MAX BELOW DATUM E
  - 1.33 MAX MEASURED AT DATUM C
  - ROUND POSTS ARE SOLDERABLE
  - ELECTRICAL SPECIFICATION:  
MAXIMUM RATED CURRENT: 1.5Amps @ 30°C MAX  
CONTACT RESISTANCE: 30 MILLI-OHMS MAX  
INSULATOR RESISTANCE: 1000 MEGOHMS MIN  
DIELECTRIC WITHSTANDING VOLTAGE: 500 V AC



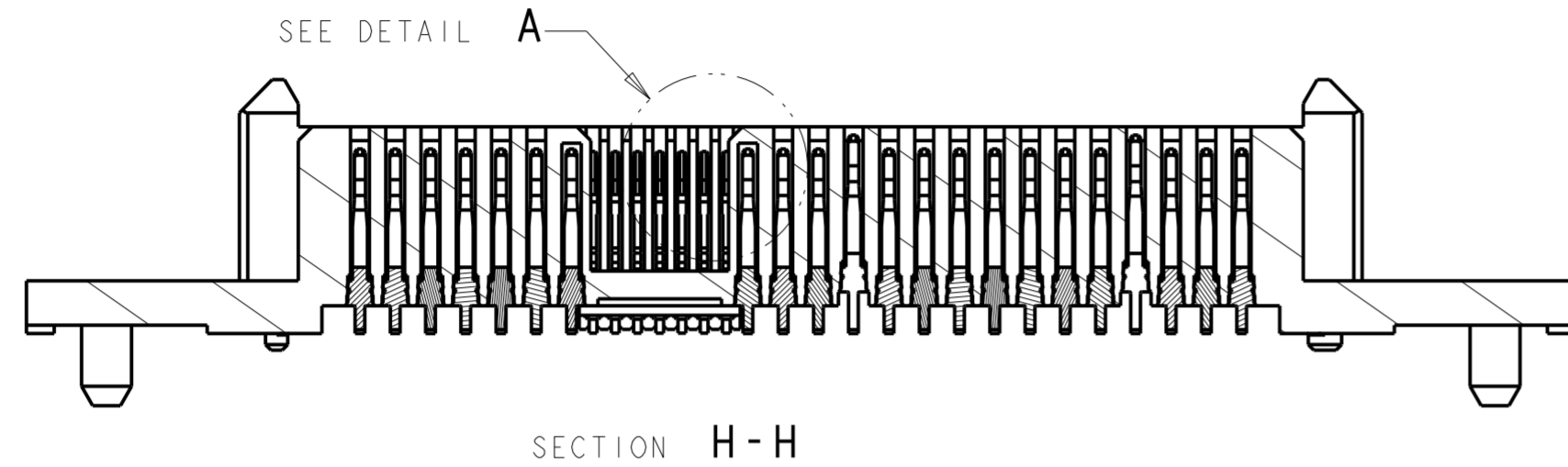
DETAIL C  
SCALE 8:1  
P/N: 1735871-1 AS SHOWN

0.54	0.34	0.34	1735871-3
0.54	0.39	0.34	1735871-2
0.40	0.32	0.25	1735871-1
DIM C	DIM B	DIM A	P/N

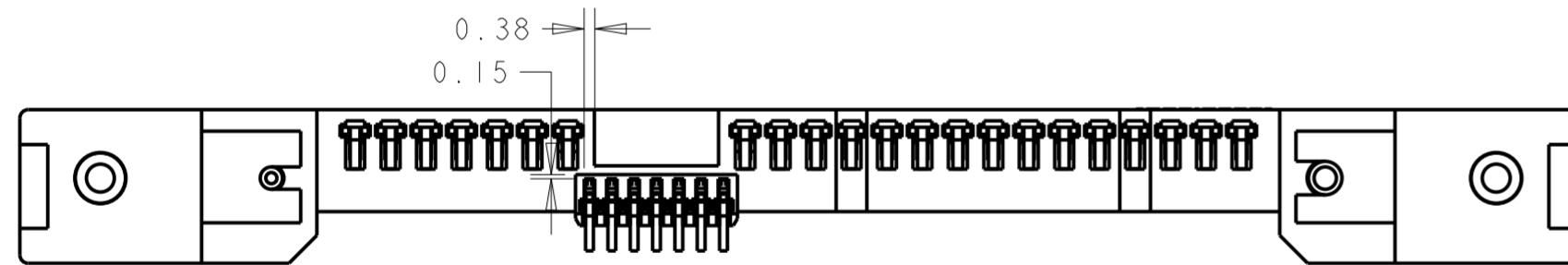
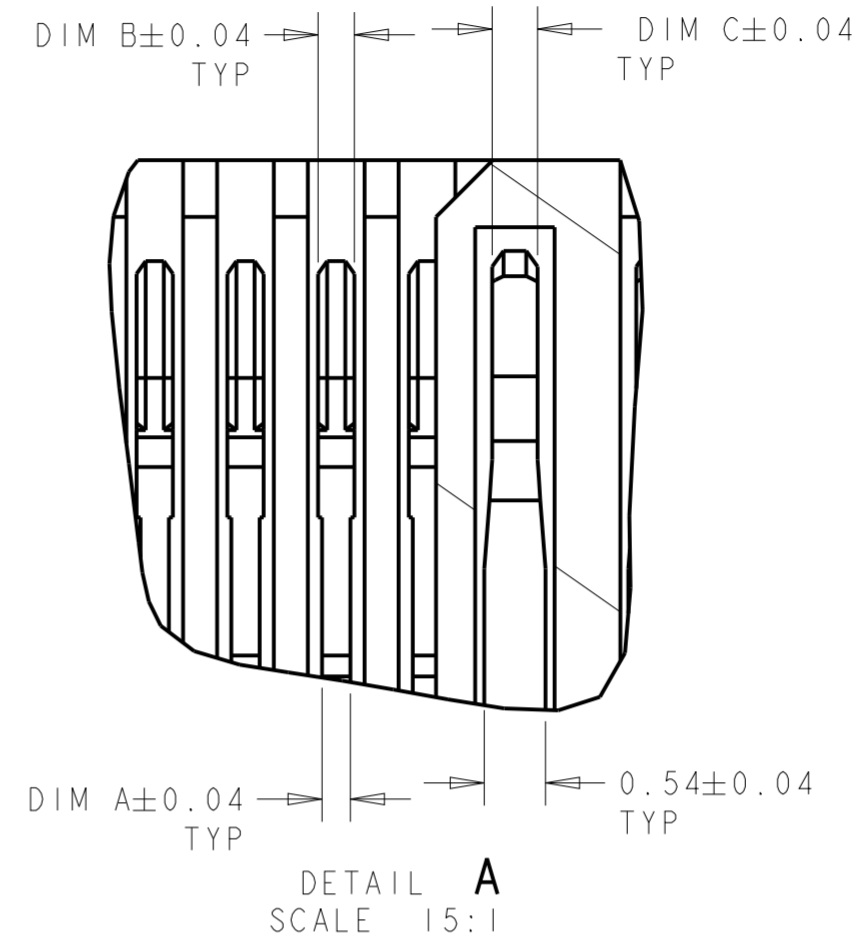
THIS DRAWING IS A CONTROLLED DOCUMENT FOR AMP INCORPORATED. IT IS SUBJECT TO CHANGE AND THE CONTROLLING ENGINEERING ORGANIZATION SHOULD BE CONTACTED FOR THE LATEST REVISION.		DWN TY PANG 15MAR2011	Tyco Electronics Singapore Pte. Ltd.	
DIMENSIONS: mm		CHK SF LEONG 15MAR2011		
TOLERANCES UNLESS OTHERWISE SPECIFIED: 0 PLC ± 1 PLC ± 2 PLC ±0.20 3 PLC ± 4 PLC ± ANGLES ±3° FINISH		APVD SF LEONG 15MAR2011	NAME SAS BACKPLANE RECEPTACLE, VERTICAL, SMT, SOLDERABLE POST	
MATERIAL		PRODUCT SPEC 108-51067	SIZE A2	
		APPLICATION SPEC -	CAGE CODE 00779	
		WEIGHT -	DRAWING NO 1735871	
CUSTOMER DRAWING		SCALE 4:1 SHEET 1 OF 3 REV B		

THIS DRAWING IS UNPUBLISHED. RELEASED FOR PUBLICATION .19  
 (C) COPYRIGHT 19 BY AMP INCORPORATED. ALL RIGHTS RESERVED.

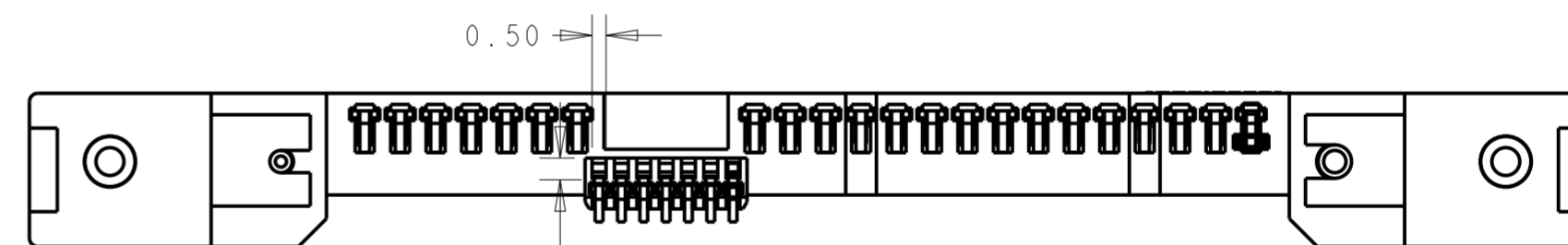
REVISIONS				DATE	DWN	APVD
LOC	DIST	P	LTR	DESCRIPTION		
DY	-					



SECTION H-H



1735871-1 & -3 AS SHOWN



0.78 ±0.04

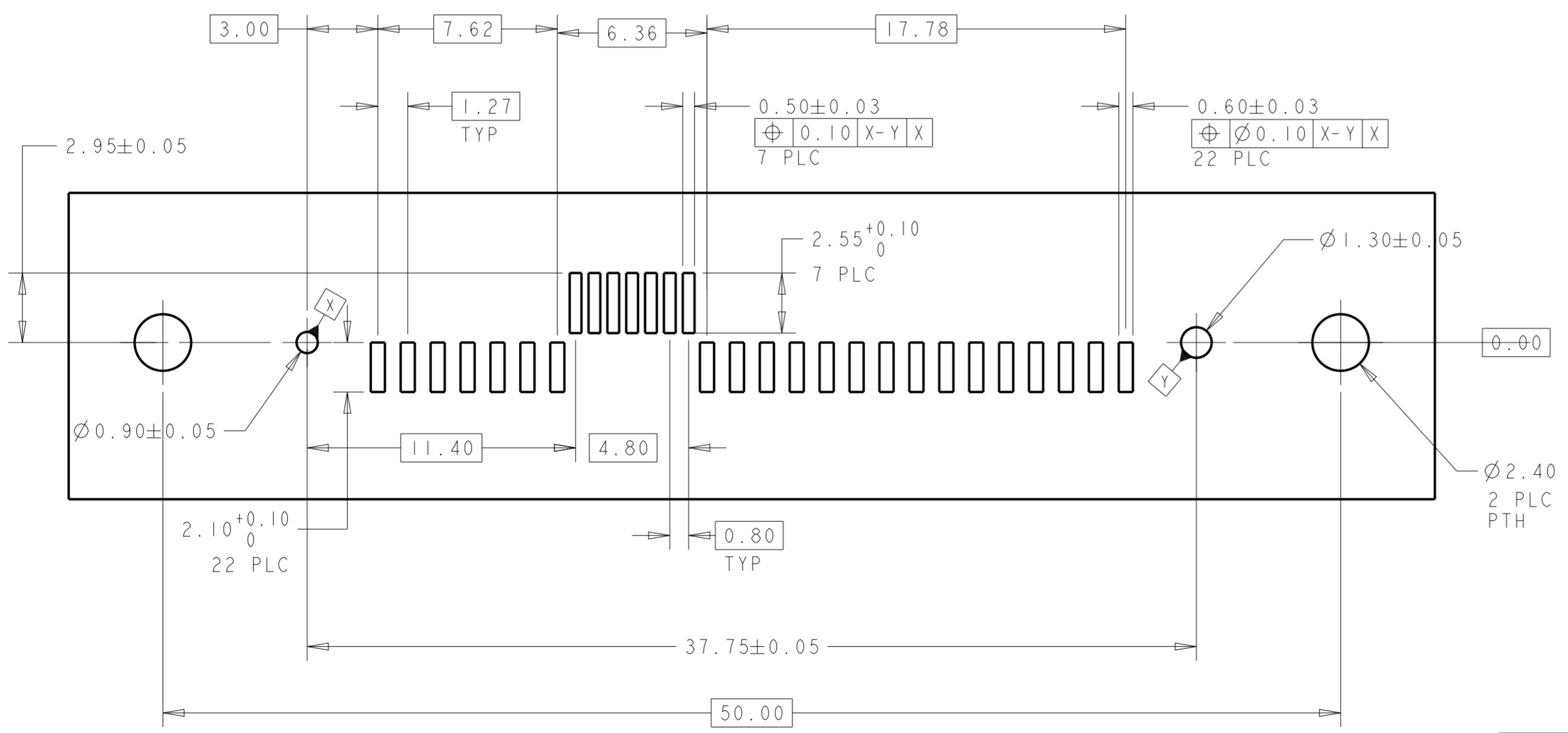
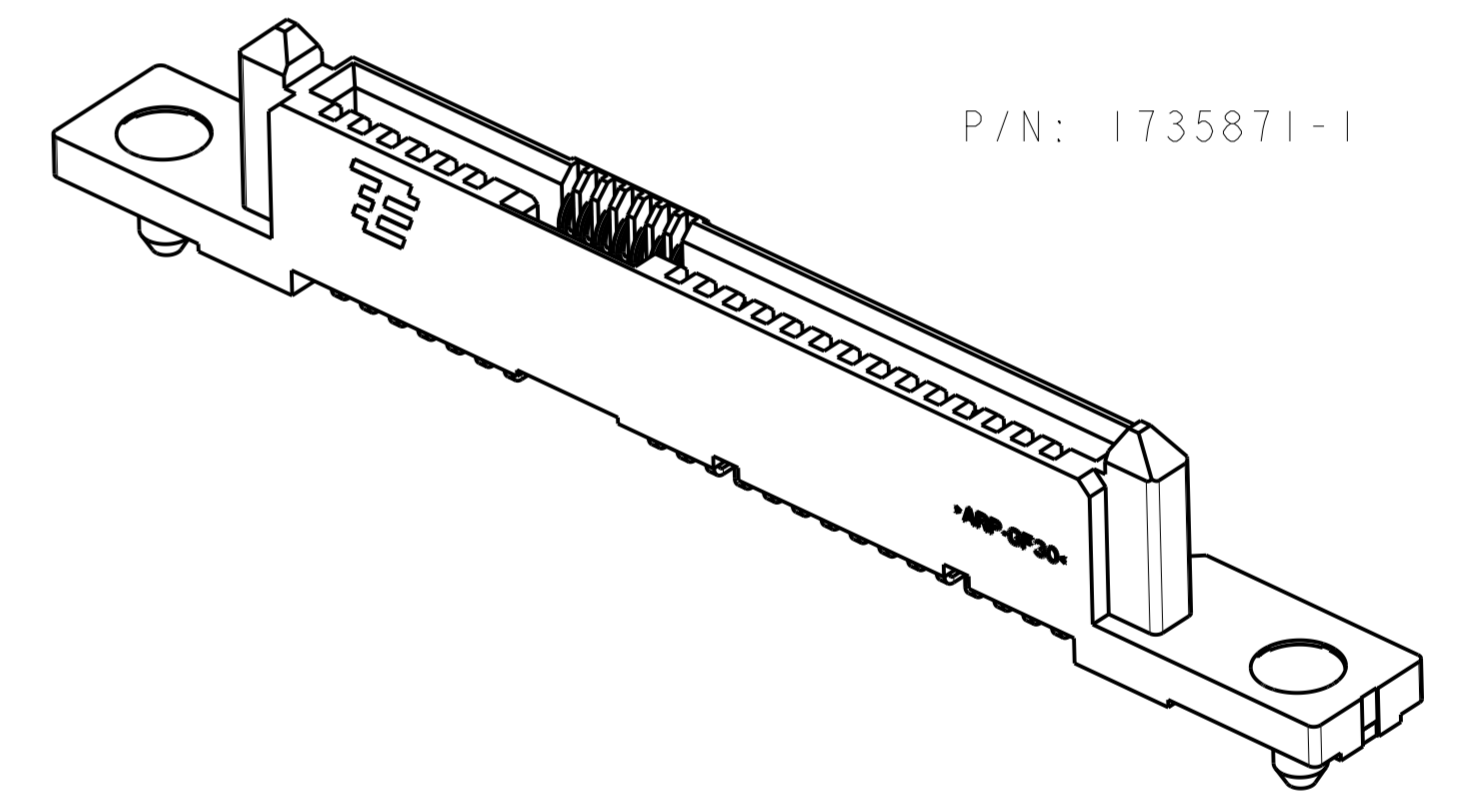
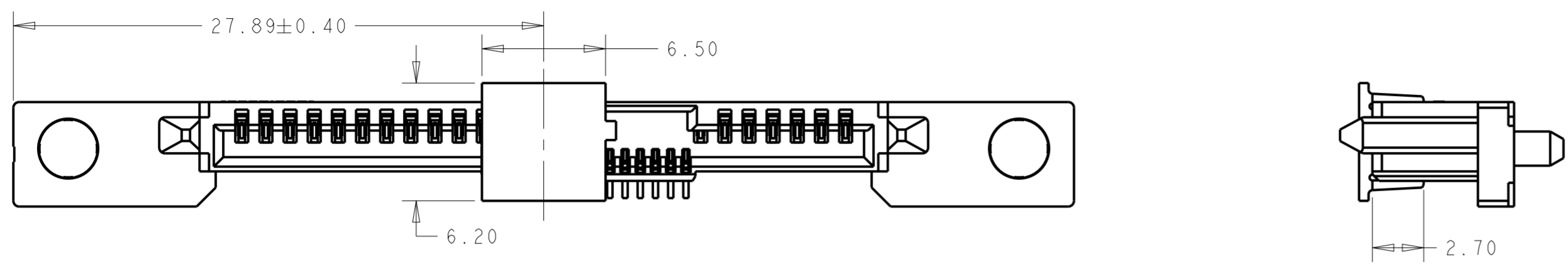
1735871-2 AS SHOWN

<small>THIS DRAWING IS A CONTROLLED DOCUMENT FOR AMP INCORPORATED. IT IS SUBJECT TO CHANGE AND THE CONTROLLING ENGINEERING ORGANIZATION SHOULD BE CONTACTED FOR THE LATEST REVISION.</small>		DWN TY PANG 15MAR2011 CHK SF LEONG 15MAR2011 APVD SF LEONG 15MAR2011	Tyco Electronics Singapore Pte. Ltd.		
DIMENSIONS: mm		TOLERANCES UNLESS OTHERWISE SPECIFIED: 0 PLC ± 1 PLC ± 2 PLC ±0.20 3 PLC ± 4 PLC ± ANGLES ±3° FINISH	PRODUCT SPEC 108-51067 APPLICATION SPEC - WEIGHT - CUSTOMER DRAWING	NAME SAS BACKPLANE RECEPTACLE, VERTICAL, SMT, SOLDERABLE POST	
MATERIAL		SIZE A2 CAGE CODE 00779 DRAWING NO. 1735871		SCALE 4:1 SHEET 2 OF 3 REV B	

THIS DRAWING IS UNPUBLISHED. RELEASED FOR PUBLICATION .19  
 (C) COPYRIGHT 19 BY AMP INCORPORATED. ALL RIGHTS RESERVED.

LOC	DIST	REVISIONS			
P	LTR	DESCRIPTION	DATE	DWN	APVD
DY	-	SEE SHEET 1	-	-	-

P/N: 1735871-1 WITH CAP AS SHOWN



RECOMMENDED PCB LAYOUT  
 SCALE 5:1

<small>THIS DRAWING IS A CONTROLLED DOCUMENT FOR AMP INCORPORATED. IT IS SUBJECT TO CHANGE AND THE CONTROLLING ENGINEERING ORGANIZATION SHOULD BE CONTACTED FOR THE LATEST REVISION.</small>		DWN TY PANG 15MAR2011 CHK SF LEONG 15MAR2011 APVD SF LEONG 15MAR2011	<b>tyco</b> Electronics Tyco Electronics Singapore Pte. Ltd.
DIMENSIONS: mm 	TOLERANCES UNLESS OTHERWISE SPECIFIED: 0 PLC ± - 1 PLC ± - 2 PLC ± 0.20 3 PLC ± - 4 PLC ± - ANGLES ± 3° FINISH	PRODUCT SPEC 108-51067 APPLICATION SPEC - WEIGHT - CUSTOMER DRAWING	NAME SAS BACKPLANE RECEPTACLE, VERTICAL, SMT, SOLDERABLE POST SIZE A2 CAGE CODE 00779 DRAWING NO. 1735871
		SCALE 4:1	SHEET 3 OF 3 REV B