

Approved	Checked	Designed	DEVELOPMENT SPECIFICATION	<table border="1"> <tr> <td></td> <td></td> <td></td> </tr> <tr> <td colspan="3" style="text-align: center;">TEMPORARY</td> </tr> </table>						TEMPORARY		
TEMPORARY												
		T. Takata	P/N: LNJ418C84RA									

T Y P E	Amber Light Emitting Diode					
APPLICATION	Indicators					
MATERIAL	InGaAlP					
OUTLINE	Attached					
ABSOLUTE MAXIMUM RATINGS	P	*I _{FP}	I _{FDC}	V _R	Topr	Tstg
	55	60	20	4	-30~+85	-40~+100
	mW	mA	mA	V	°C	°C
CONDITION	T _a = 25 ± 3°C					

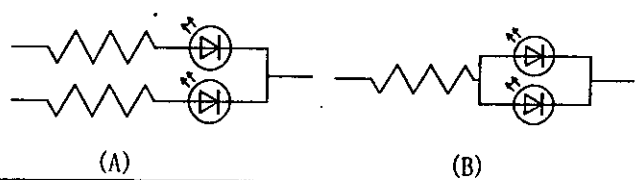
Test Specification

I t e m	Symbol	C o n d i t i o n	Typ	Limit		Unit
				Min	Max	
Forward Voltage	V _F	I _F = 10 mA	2.0		2.5	V
Reverse Leakage Current	I _R	V _R = 4 V			100	μA
Luminous Intensity	I _O	I _F = 10 mA DC	85	45		mcd
Peak Emission Wavelength	λ _p	I _F = 10 mA DC	595			nm
Spectral Line Half Width	Δλ	I _F = 10 mA DC	15			nm

- *1. The Condition of I_{FP} is duty 10%, Pulse width 1 ms
- *2. Tolerance of luminous intensity: ±20%.

NOTE

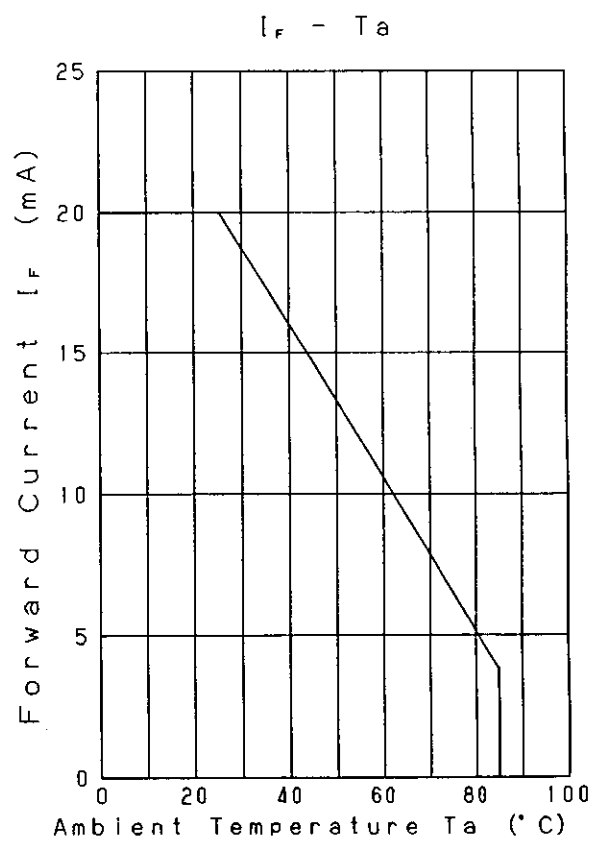
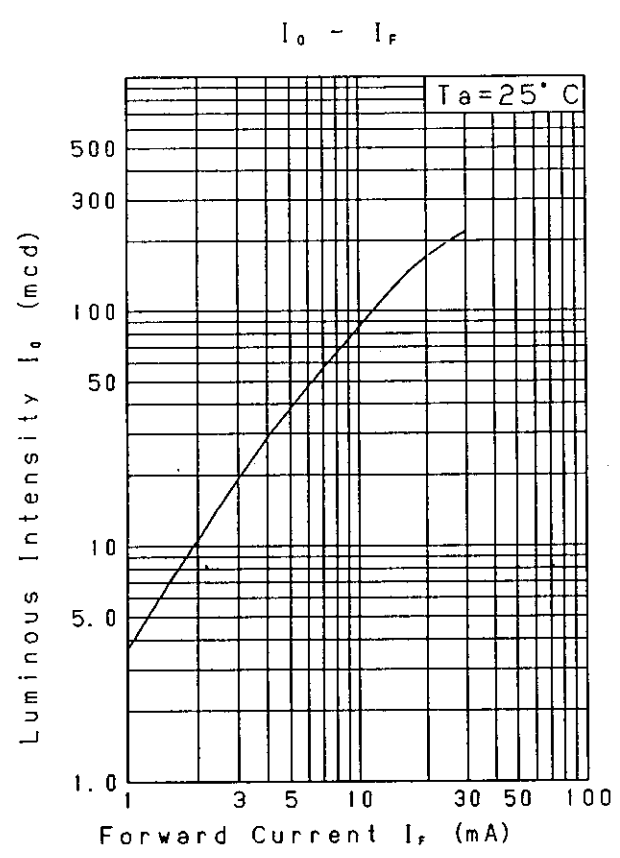
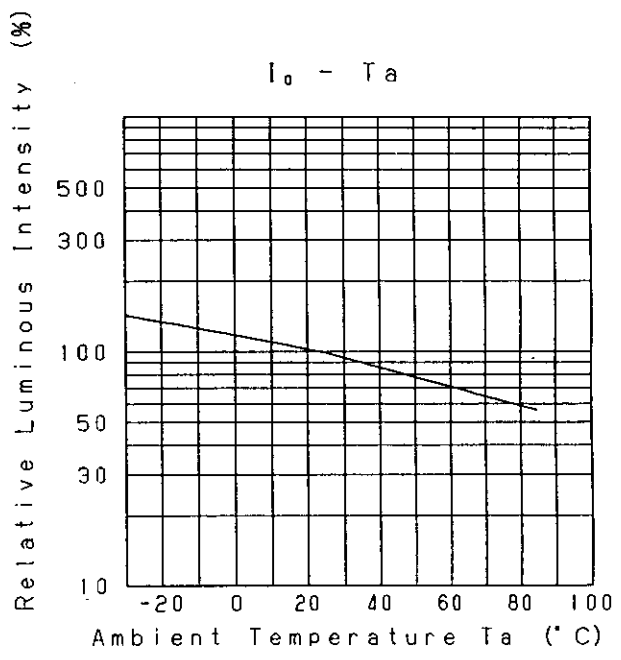
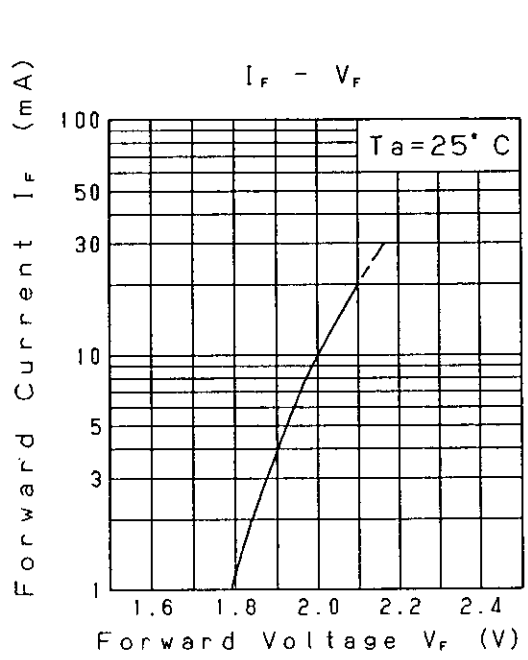
- ★1. Please contact the Panasonic local office if you design at low current (below 1mA DC) or pulse-current operation and have any questions.
- ★2. Soldering conditions... Refer to Handling note.
- ★3. Compositions of the lead ... Cu/Ni/Au plating
- ★4. Beware of destruction by static electricity in handling the LED.
- ★5. Circuit to operate LED.



(A) Recommended circuit.
 (B) The difference of brightness between the LED could be found due to the V_F characteristics of each LED.

Nov. 7. 2001			

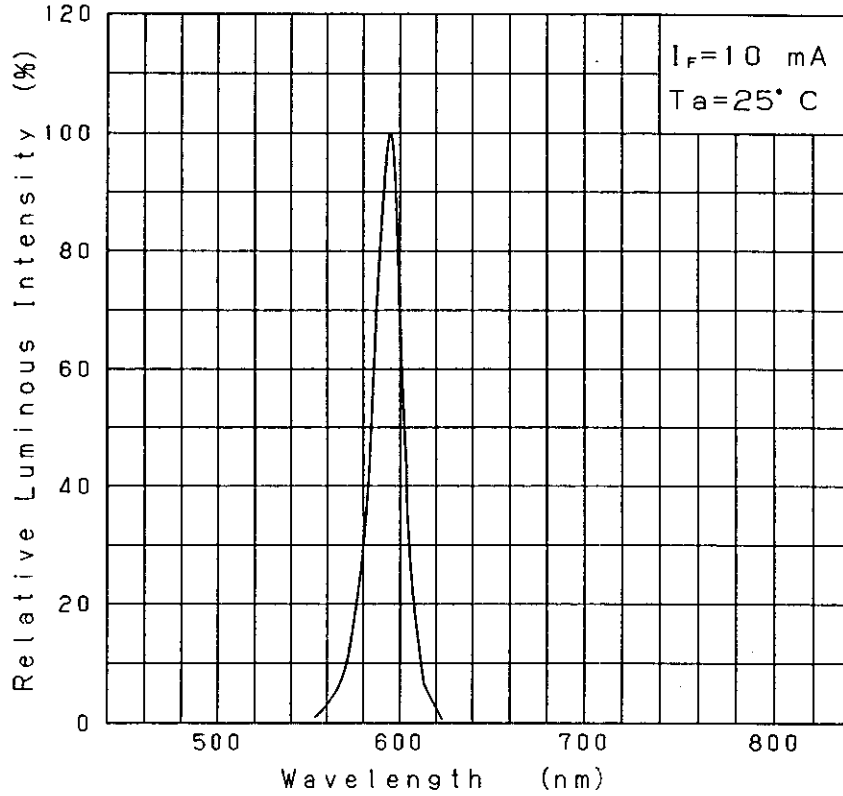
Approved	Checked	Designed	DEVELOPMENT SPECIFICATION	TEMPORARY
		T. Takahara		
			P/N: LNJ418C84RA	



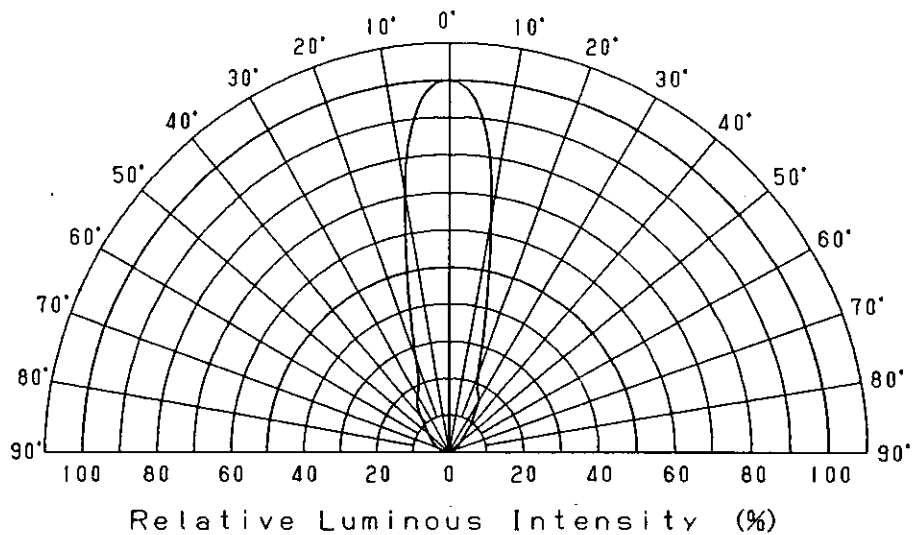
Nov.7.2001			
------------	--	--	--

Approved	Checked	Designed	DEVELOPMENT SPECIFICATION	TEMPORARY
		T. Takata		

Relative Luminous Intensity
Wavelength Characteristics



Directive Characteristics



Nov. 7. 2001

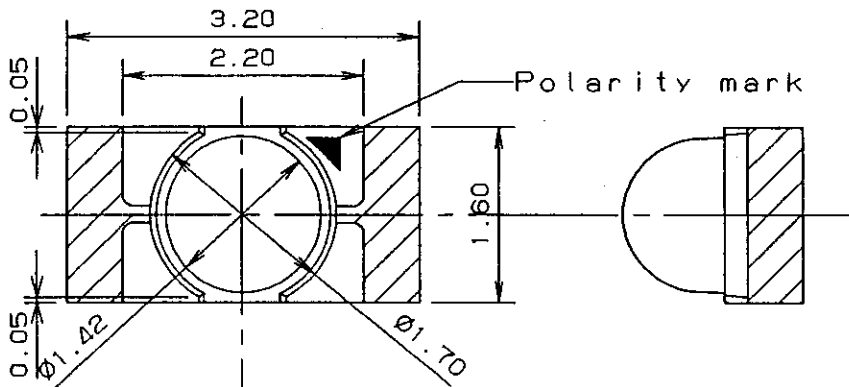
Approved <i>T. Shindo</i>	Checked <i>h. h. h.</i>	Designed <i>T. Tabata</i>
------------------------------	----------------------------	------------------------------

DEVELOPMENT SPECIFICATION
(OUTLINE)

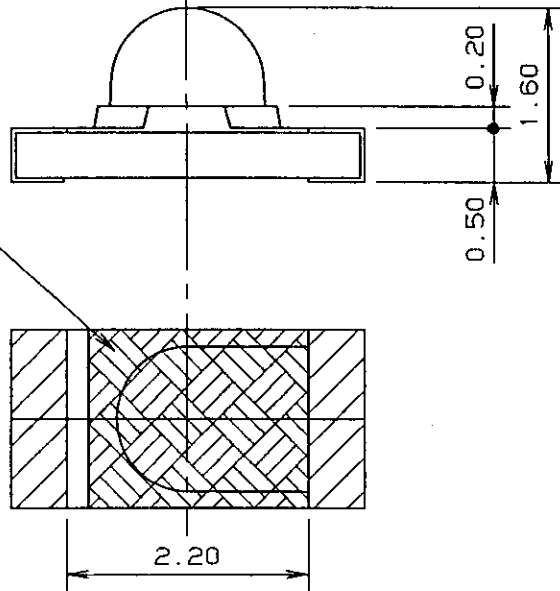
P/N: _____

TEMPORARY

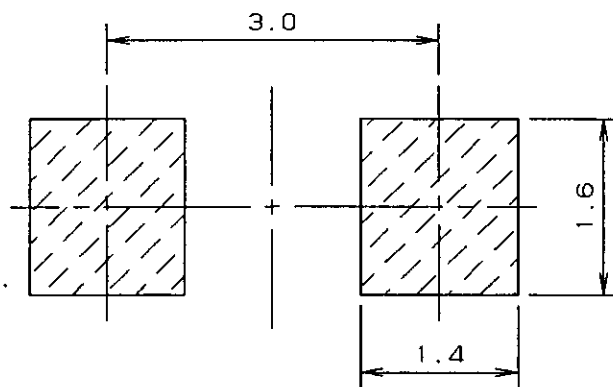
Outline



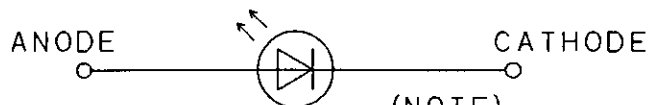
Protect mask



Recommended Land Layout



Polarity



(NOTE)

1. Unit:mm

2. Tolerance unless specified is ± 0.15 .

3. indicate Au terminal.

Jul. 5.2001