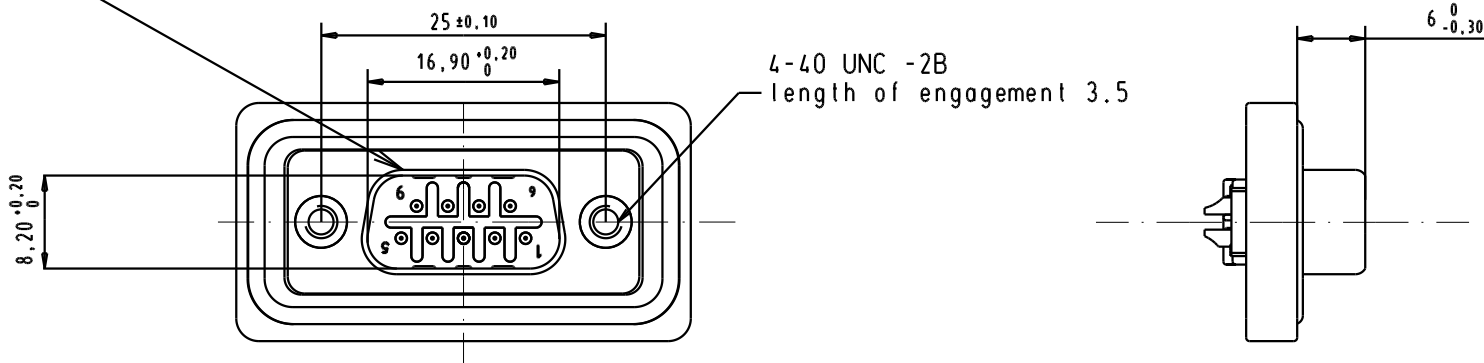
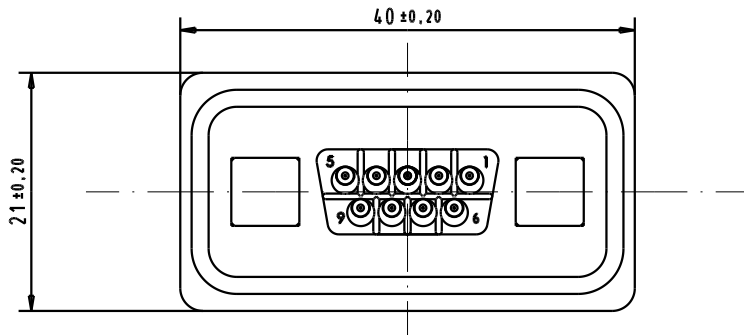
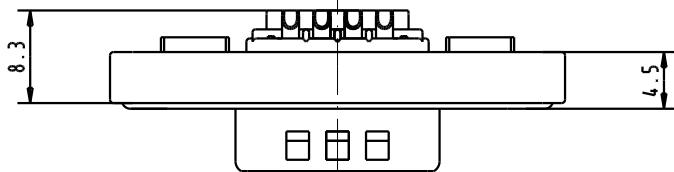


Mating face according to : MIL-C-24308 / DIN 41652 / CECC 75.01-802



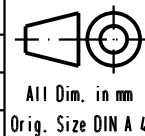
1) Protection standard IP 67 according to IEC 529 / DIN 40050.

2) Cable: AWG 20 max



09 67 509 7615 Au plating 0,76 µm mini

	Dat.	Name
Detail.	10/10/03	S.H.
Insp.		
Stand.		



D-SUB IP67 male 9 Poles
straight solder cup with
4-40 UNC nut

Maßstab/
Scale

Part Number

Performance Level

31559	10/10/03	S.H
Mod.	Dat.	Name

HARTING ELEKTRONIK
F-95972 Paris



TB 09 67 509 7615

Sub.

Blatt/ Page