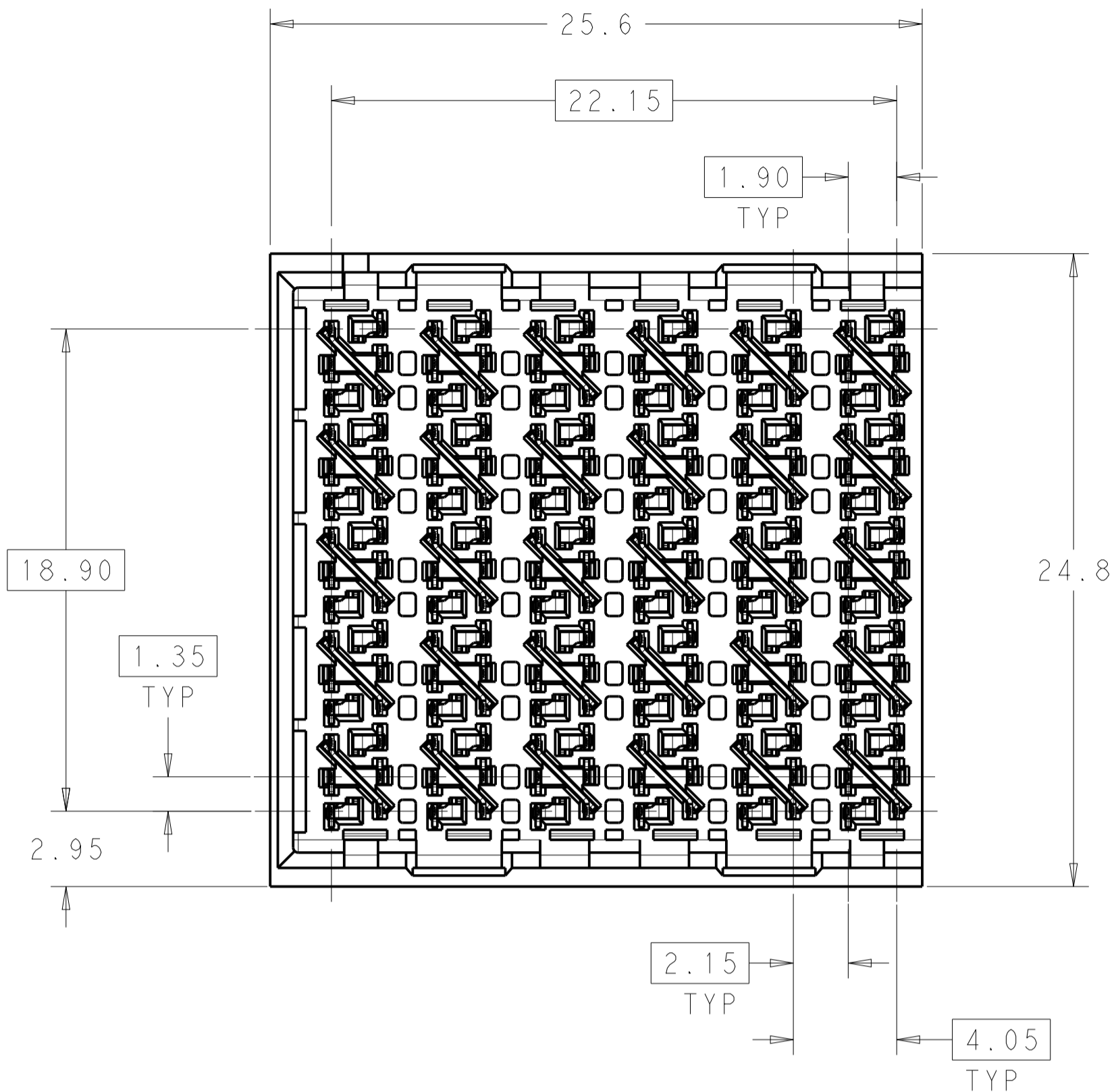
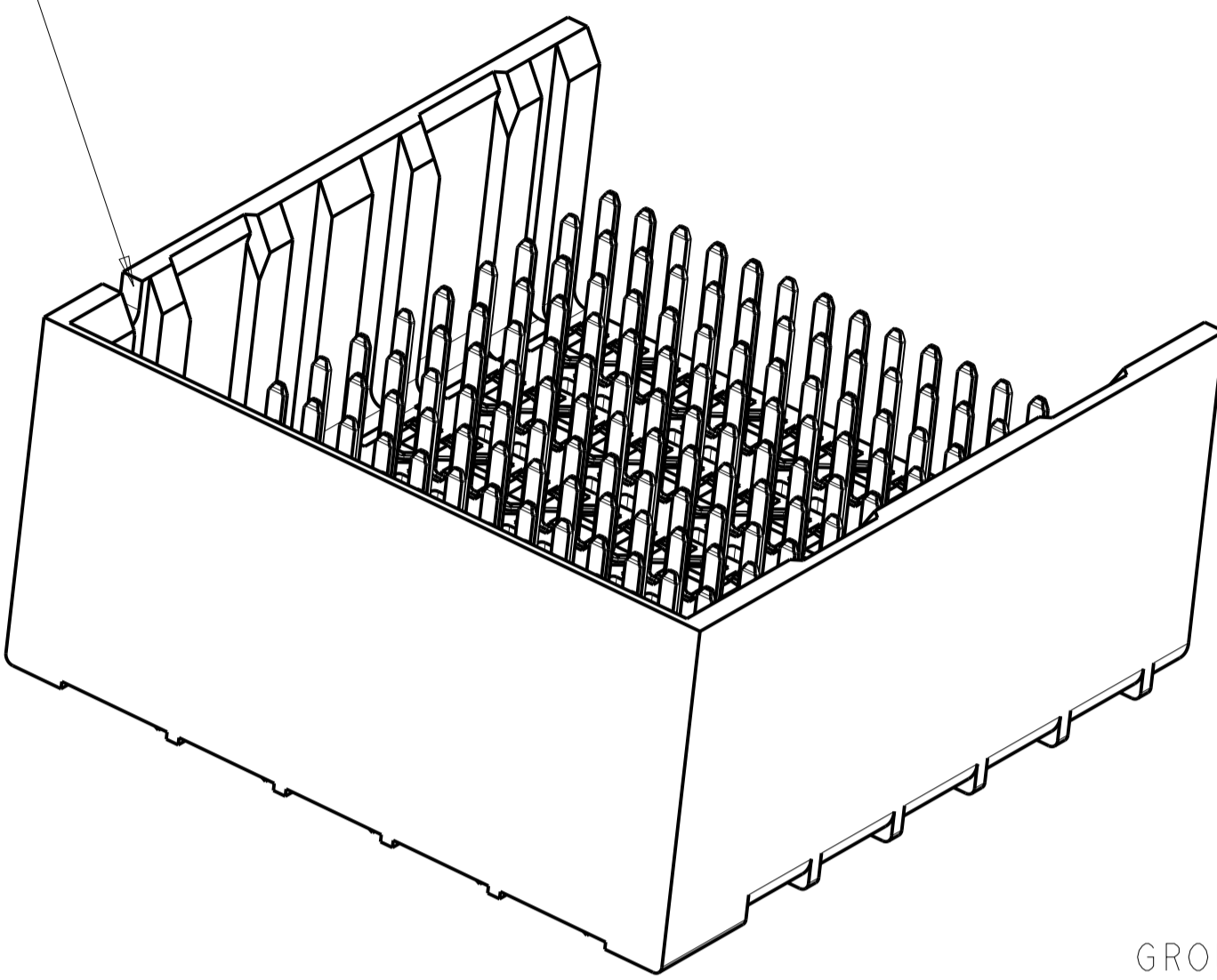


REVISIONS				
P.	LTN	DESCRIPTION	DATE	APV
B		REVISED PER ECO-14-013272	09SEP2014	AP DD

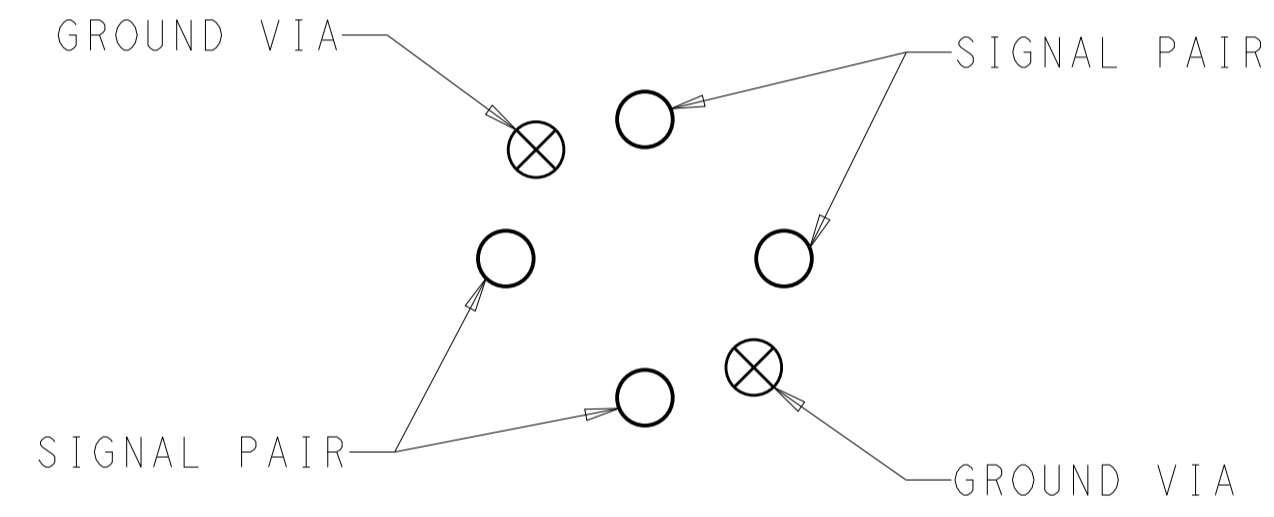


NOTCH DESIGNATES ROW A

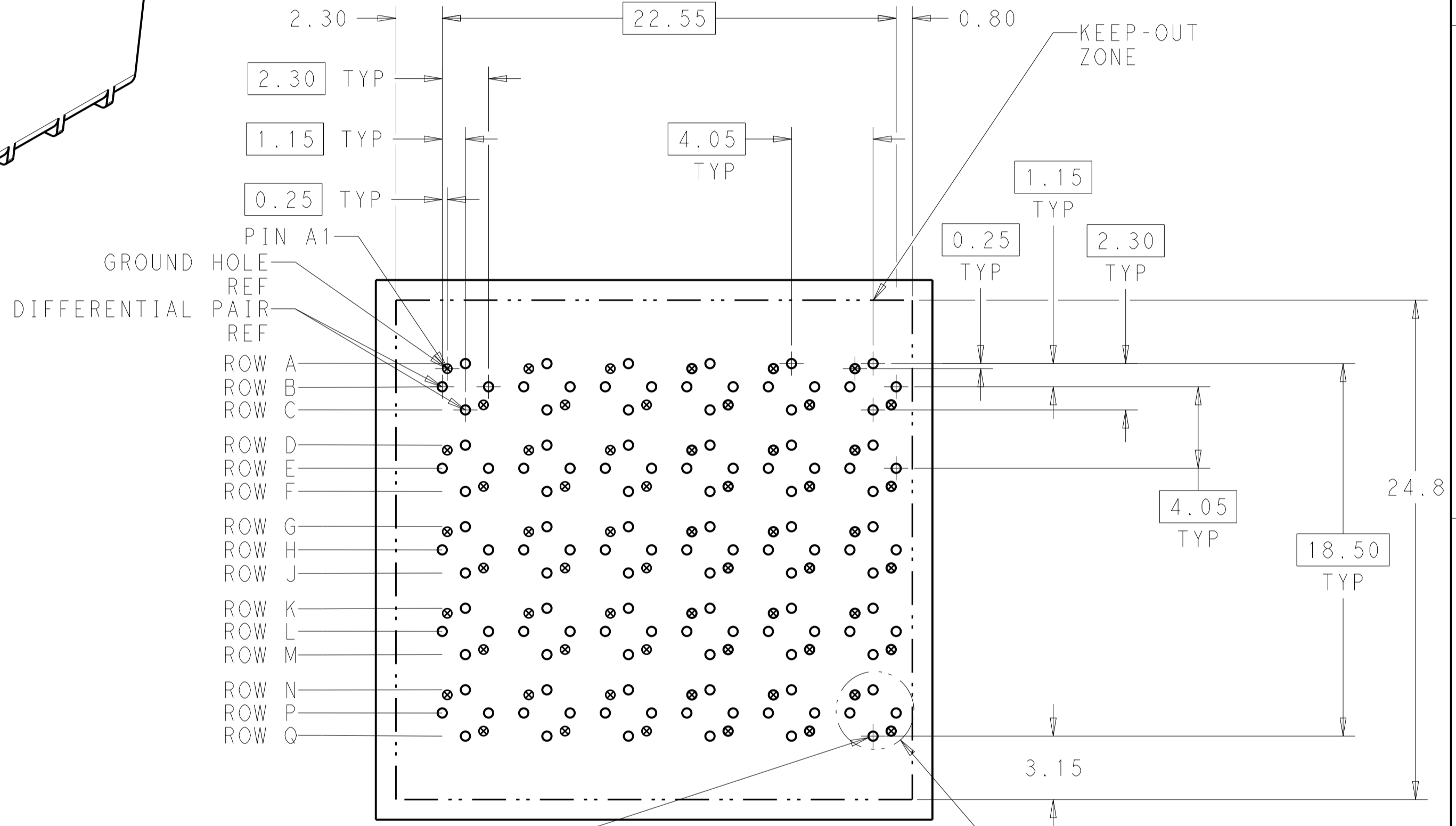


1 MATERIAL:  
HOUSING: LCP, GLASS FILLED, UL94V-0.  
TERMINALS: HIGH PERFORMANCE COPPER ALLOY.

2 FINISH:  
30µ" MIN GOLD IN CONTACT AREA. SELECTIVE TIN ON PCB TAILS, NICKEL OVERALL.



DETAIL X  
SCALE 16:1

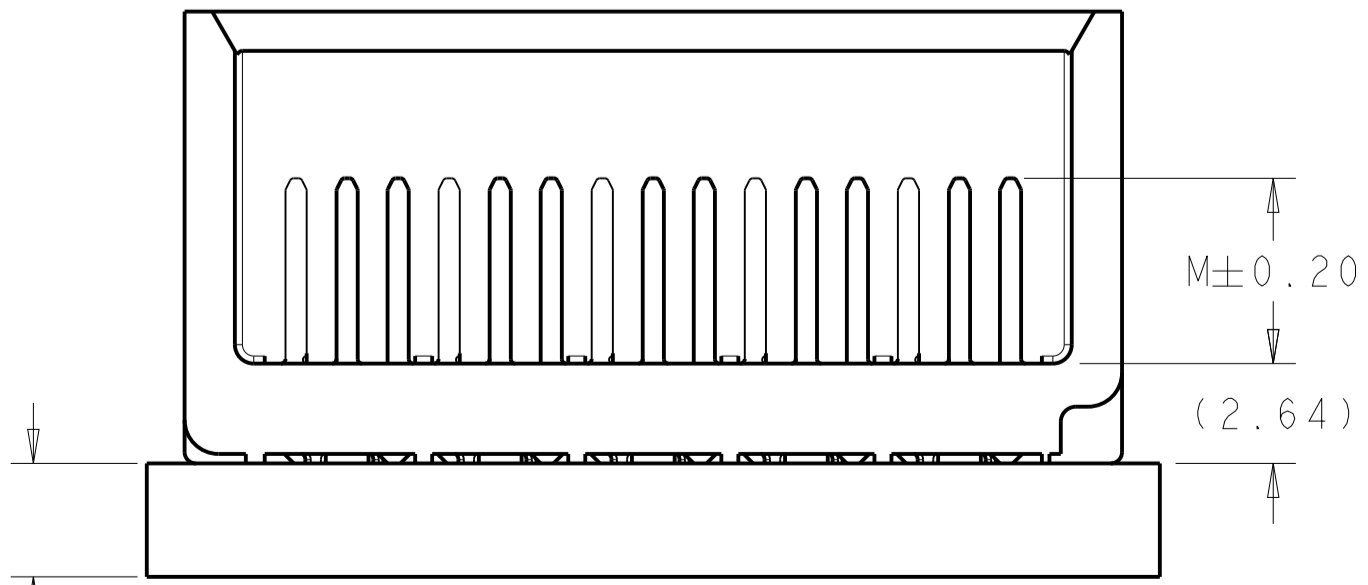
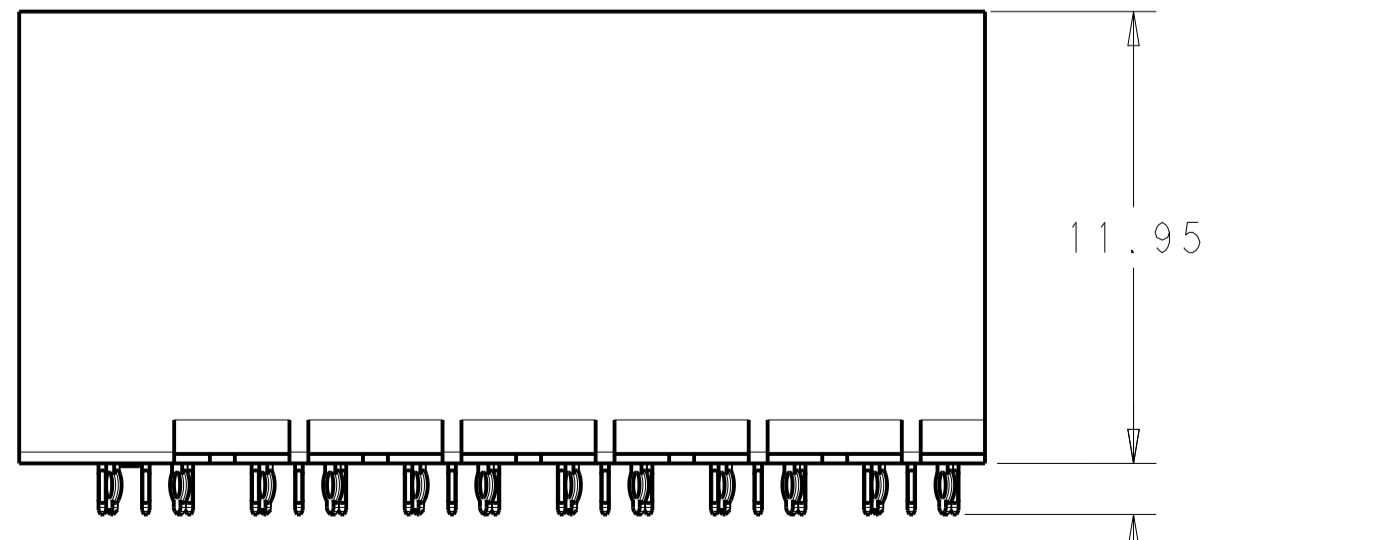


180X  $\varnothing 0.46 \pm 0.08$   
PLATED THRU HOLE

180X  $\varnothing 0.55 \pm 0.013$   
DRILL HOLE  
 $\varnothing 0.10$

UNGUIDED  
BACKPLANE HOLE PATTERN  
(CONNECTOR SIDE)

REFER TO WWW.TE.COM  
FOR PRODUCT AVAILABILITY



FINISH	DIM M	PART NUMBER
2	5.5	2143631-2
2	4.9	2143631-1

THIS DRAWING IS A CONTROLLED DOCUMENT.		OWN: KIRAN HOLAL 01DEC2012	NAME: IMPACT, ORTHOGONAL, 5 PAIR, 12 COLUMN HEADER, UNGUIDED, LEFT END WALL SIGNAL MODULE, 0.46 PTH
DIMENSIONS: mm		CHK: D. DIXON 01DEC2012	PRODUCT SPEC: -
TOLERANCES UNLESS OTHERWISE SPECIFIED:		APV: D. DIXON 01DEC2012	APPLICATION SPEC: -
0 PLC ±		SIZE: -	RESTRICTED TO: -
1 PLC ±0.25		WEIGHT: -	SCALE: 5:1
2 PLC ±0.13		CUSTOMER DRAWING	SHEET 1 OF 1
3 PLC ±		SCALE: 5:1	REV B
4 PLC ±		SCALE: 5:1	REV B
ANGLES ±		SCALE: 5:1	REV B
FINISH: SEE TABLE		SCALE: 5:1	REV B