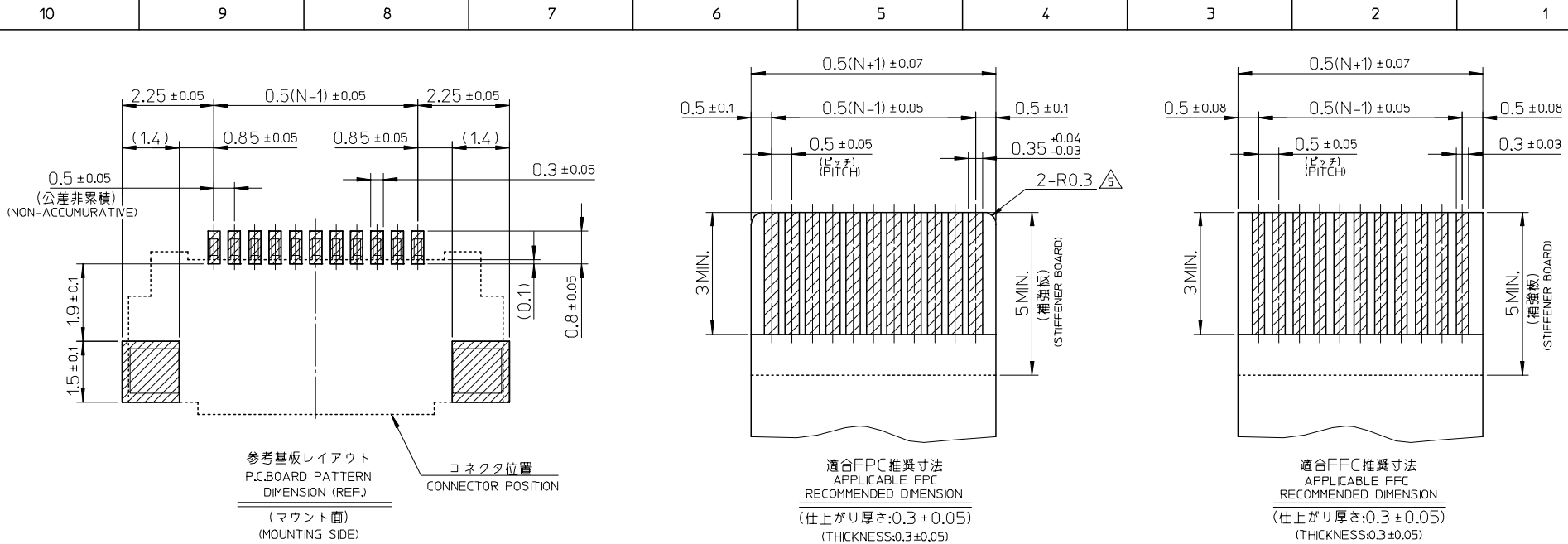


501896-6511	65
製品番号 MATERIAL NO.	極数 Ckt

501896-**x11 MODEL NO.

REVISED EC NO: J2007-1362 DRWN:Y.TAKAYASU 2006/11/09 CHKD:H.HIRATA 2006/11/09 APPR:H.HIRATA 2006/11/10	GENERAL TOLERANCES (UNLESS SPECIFIED)		DIMENSION STYLE MM ONLY	SCALE 5:1	DESIGN UNITS METRIC	THIRD ANGLE PROJECTION
	10 UNDER	±0.2	DRAWN BY Y.TAKAYASU	DATE 2005/08/01	TITLE 0.5 FPC CONN ZIF E/O HSG ASSY (HGT=1.3) -LEAD FREE-	
	10 OVER 30 UNDER	±0.25	CHECKED BY H.HIRATA	DATE 2005/08/01	MOLEX INCORPORATED	
	30 OVER	±0.3	APPROVED BY H.HIRATA	DATE 2005/08/01	DOCUMENT NO. SD-501896-001	SHEET NO. 1 OF 2
	ANGULAR	±3 °	MATERIAL NO.		SEE CHART	
DRAFT WHERE APPLICABLE MUST REMAIN WITHIN DIMENSIONS			SIZE A3	THIS DRAWING CONTAINS INFORMATION THAT IS PROPRIETARY TO MOLEX INCORPORATED AND SHOULD NOT BE USED WITHOUT WRITTEN PERMISSION		



注記 NOTES

1. 使用材料 MATERIAL

- ハウジング : 液晶ポリマー ガラス充填, UL94-V0(ベージュ)
HOUSING LIQUID CRYSTAL POLYMER GLASS FILLED, UL94-V0(BEIGE)
- アクチュエータ : ポリアミド9T ガラス充填, UL94-V0(黒)
ACTUATOR POLYAMIDE 9T GLASS FILLED, UL94-V0(BLACK)
- ターミナル : リン青銅(t=0.18)
TERMINAL PHOSPHOR BRONZE
- 金具 : リン青銅(t=0.15)
FITTING NAIL PHOSPHOR BRONZE

△ パターン剥離止め用金具
FITTING NAIL FOR PREVENTION OF PEELING OF PCB PATTERN.

△ R0.3は、FPC導体部にかからないこと。
R0.3 MUST NOT BE OVERLAPPED TO PATTERN OF FPC.

6. N : 極数 N : CIRCUIT.

2. めっき仕様 PLATING

- ターミナル TERMINAL
ニッケル下地めっき(Niバリア)
GOLD(AU) OVER NICKEL(NI) PLATING. Ni BARRIER.

- 金具 FITTING NAIL
ニッケル下地めっき
TIN(Sn) OVER NICKEL(Ni) PLATING.

3. エンボスタープ梱包時は、アクチュエータが閉じた状態とする。
IN THE PACKAGE, ACTUATOR OF PART 501896-**11 SHOULD BE CLOSED.

FPC/FFC について:

打ち抜き方向は導体側から補強板側を推奨します。
導体部については軟銅箔35μmまたは50μmを推奨します。

ABOUT FPC/FFC

RECOMMENDED PUNCHER DIRECTION : FROM CONDUCTOR SIDE TO STIFFENER FILM SIDE.
RECOMMENDED CONDUCTOR THICKNESS OF SOFT COPPER FOIL : 35 μm OR 50 μm.

FPC について:

補強フィルム材質はポリイミドを推奨します。
接着剤は熱硬化接着剤を推奨します。ベースフィルムは25μmを推奨します。
尚、接着剤の接点部への付着は導通不良の原因になりますので、染み出しが無い様、お願い致します。

ABOUT FPC

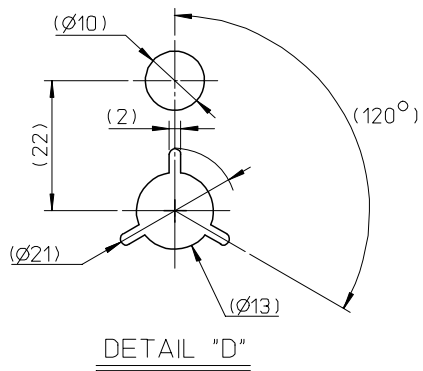
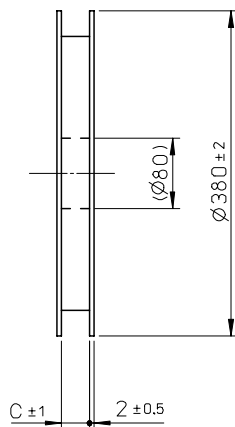
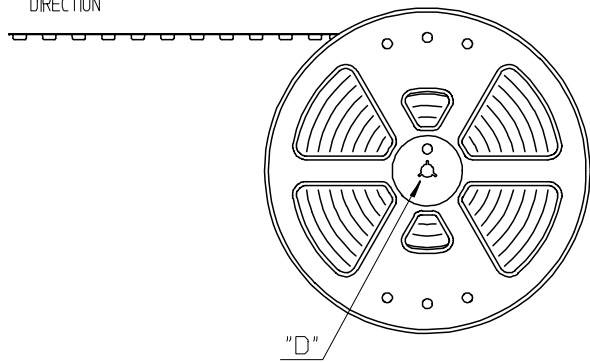
RECOMMENDED MATERIAL/THICKNESS.
STIFFENER FILM : POLYIMIDE
BONDING AGENT : THERMOSETTING BONDING AGENT
BASE FILM THICKNESS : 25μm

PLEASE PUT APPROPRIATE AMOUNT OF ADHESIVE ON THE CONTACT AREA BECAUSE THE EXTRA ADHESIVE MAY CAUSE THE DEFECT IN ELECTRICAL CONTINUITY.

501896-**11 MODEL NO.

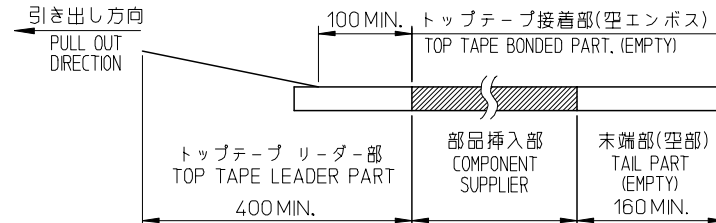
REVISED EC NO: J2007-1362 DRWNY:TAKAYASU 2006/11/09 CHKD:HIRATA 2006/11/09 APPR:HIRATA 2006/11/10	GENERAL TOLERANCES (UNLESS SPECIFIED)		DIMENSION STYLE MM ONLY		SCALE ---	DESIGN UNITS METRIC	THIRD ANGLE PROJECTION
	10 UNDER	± 0.2	DRAWN BY Y. TAKAYASU	DATE 2005/08/01	TITLE 0.5 FPC CONN ZIF E/O HSG ASSY (HGT=1.3) -LEAD FREE-		
	10 OVER 30 UNDER	± 0.25	CHECKED BY H. HIRATA	DATE 2005/08/01	MOLEX INCORPORATED		
	30 OVER	± 0.3	APPROVED BY H. HIRATA	DATE 2005/08/01	DOCUMENT NO. SD-501896-001		
	ANGULAR ± 3 °	DRAFT WHERE APPLICABLE MUST REMAIN WITHIN DIMENSIONS		SEE SHEET 1 OF 2		SHEET NO. 2 OF 2	
		THIS DRAWING CONTAINS INFORMATION THAT IS PROPRIETARY TO MOLEX INCORPORATED AND SHOULD NOT BE USED WITHOUT WRITTEN PERMISSION					

引き出し方向
PULL OUT
DIRECTION



NOTES

- 製品詳細寸法については図面 SD-501896-001 を参照下さい。
FOR DIMENSIONS OF PRODUCT, REFER TO SD-501896-001.
- 梱包数量：3000個/リール
NUMBER OF CONNECTORS：3000 PCS/REEL
- リードテープ長さ LEAD TAPE LENGTH



4. 材料 MATERIAL

キャリアテープ：ポリプロピレン
CARRIER TAPE：POLYPROPYLENE
トップテープ：ポリエチレンテレフタレート、ポリエチレン
TOPTAPE：POLYETHYLENE TEREPHTHALATE, POLYETHYLENE
リール：ポリスチレン<リサイクル材を含む>
REEL：POLYSTYRENE<RECYCLE MATERIAL CONTAINED>

501896-***91 MODEL NO.

REVISED EC NO: J2007-1362 DRWN:Y.TAKAYASU 2006/11/09 CHKD:H.HIRATA 2006/11/09 APPR:H.HIRATA 2006/11/10	GENERAL TOLERANCES (UNLESS SPECIFIED)		DIMENSION STYLE MM ONLY	SCALE ---	DESIGN UNITS METRIC	THIRD ANGLE PROJECTION
	10 UNDER	± 0.2	DRAWN BY Y.TAKAYASU	DATE 2005/08/08	TITLE 0.5 FPC CONN ZIF E/O EMBSTP PKG (HGT=1.3MM) -LEAD FREE-	
	10 ⁰ OVER 30 UNDER	± 0.25	CHECKED BY H.HIRATA	DATE 2005/08/08	MOLEX INCORPORATED	
	30 ⁰ OVER	± 0.3	APPROVED BY H.HIRATA	DATE 2005/08/08	DOCUMENT NO. SD-501896-002	
	ANGULAR	± 3 °	MATERIAL NO.		SHEET NO. 1 OF 2	
DRAFT WHERE APPLICABLE MUST REMAIN WITHIN DIMENSIONS		SEE SHEET 2 OF 2		THIS DRAWING CONTAINS INFORMATION THAT IS PROPRIETARY TO MOLEX INCORPORATED AND SHOULD NOT BE USED WITHOUT WRITTEN PERMISSION		

10 9 8 7 6 5 4 3 2 1

F

E

D

C

B

A

F

E

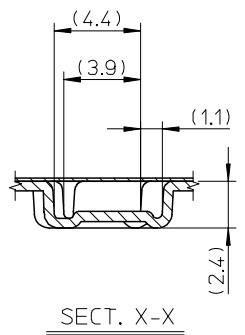
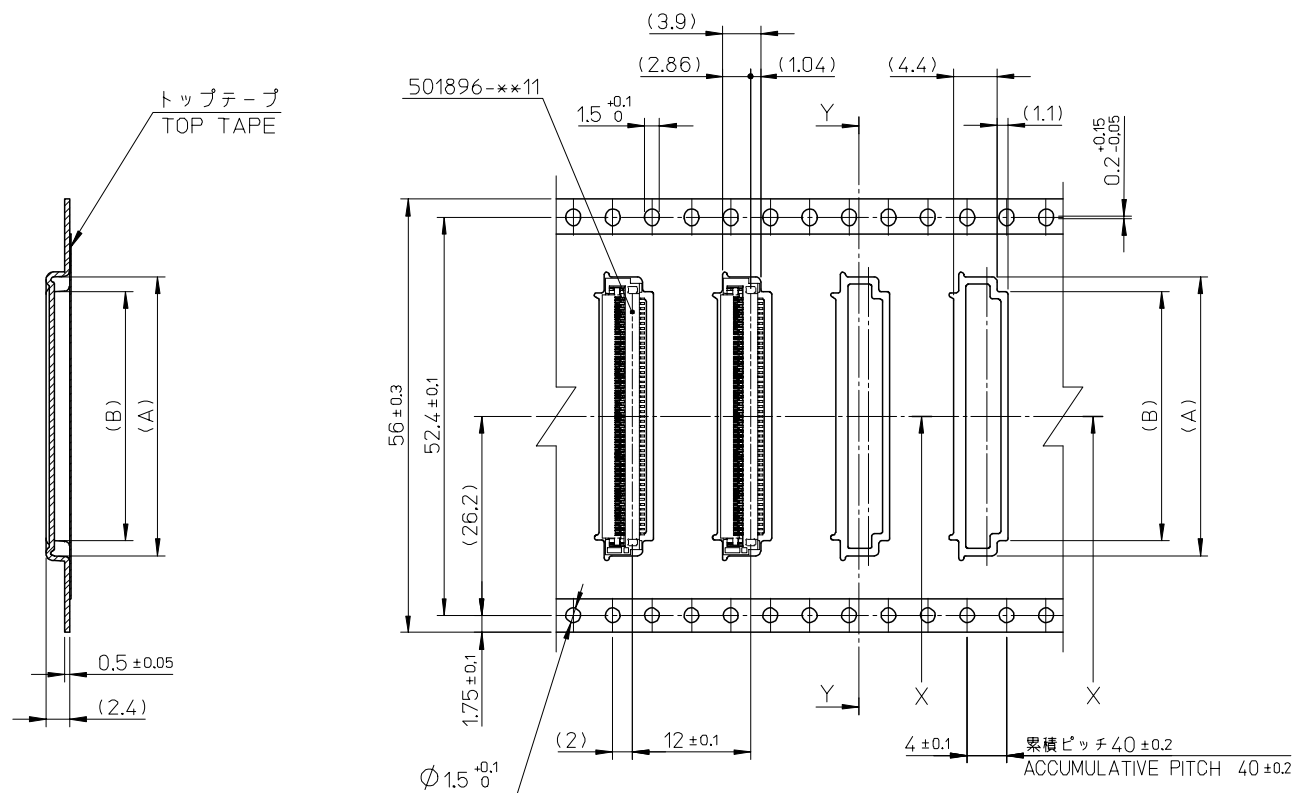
D

C

B

A

引き出し方向
PULL OUT DIRECTION



SECT. Y-Y

56mm幅キャリアテープ
56mm WIDTH CARRIER TAPE

56	57.5	33.39	36.4	501896-6591	65
キャリアテープ幅 CARRIER TAPE WIDTH	C	(B)	(A)	製品番号 MATERIAL No.	極数 Ckt

REVISED EC NO: J2007-1362 DRWN: Y.TAKAYASU 2006/11/09 CHKD: H.HIRATA 2006/11/09 APPR: H.HIRATA 2006/11/10	GENERAL TOLERANCES (UNLESS SPECIFIED)		DIMENSION STYLE MM ONLY		SCALE ---	DESIGN UNITS METRIC	THIRD ANGLE PROJECTION
	10 UNDER	± 0.2	DRAWN BY Y.TAKAYASU	DATE 2005/08/08	TITLE 0.5 FPC CONN ZIF E/O EMBSTP PKG (HGT=1.3MM) -LEAD FREE-		
	10 OVER 30 UNDER	± 0.25	CHECKED BY H.HIRATA	DATE 2005/08/08	MOLEX INCORPORATED		
	30 OVER	± 0.3	APPROVED BY H.HIRATA	DATE 2005/08/08	DOCUMENT NO. SD-501896-002		
	ANGULAR	± 3 °	MATERIAL NO.		SHEET NO. 2 OF 2		
DRAFT WHERE APPLICABLE MUST REMAIN WITHIN DIMENSIONS		SEE CHART		THIS DRAWING CONTAINS INFORMATION THAT IS PROPRIETARY TO MOLEX INCORPORATED AND SHOULD NOT BE USED WITHOUT WRITTEN PERMISSION			