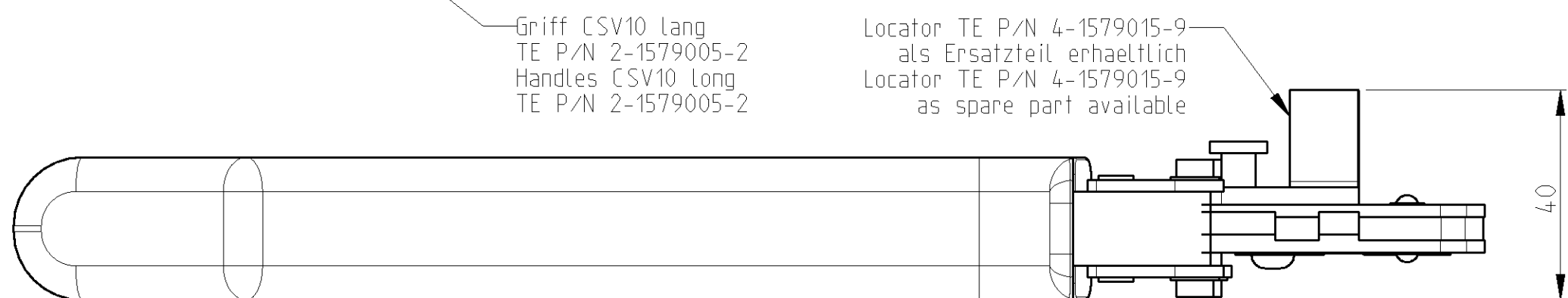
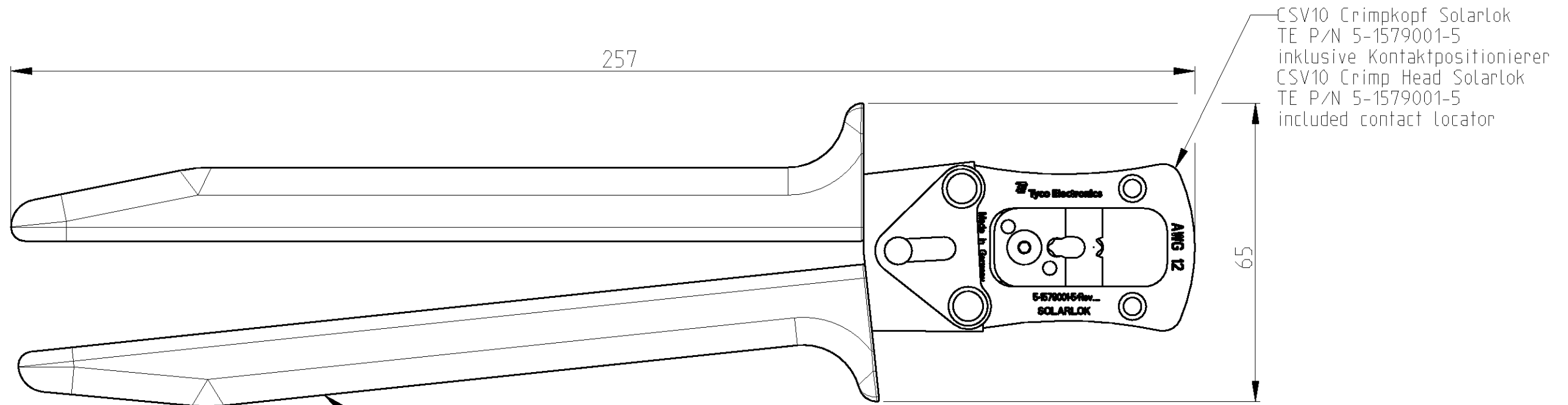


THIS DRAWING IS UNPUBLISHED. RELEASED FOR PUBLICATION 2008
 © COPYRIGHT 2008 BY TYCO ELECTRONICS CORPORATION. ALL RIGHTS RESERVED.

LOC	DIST	REVISIONS			
P	LTR	DESCRIPTION	DATE	DWN	APVD
	B	ECR-08-003823	13FEB2008	wi	wi
	C	ECR-09-019497	02SEP2009	wi	wi

CSV10 HAND TOOL FOR SOLARLOK CONTACTS AWG 12
 CSV10 HANDZANGE FUER SOLARLOK-KONTAKTE AWG 12



Griff CSV10 Handles CSV10	Crimpkopf CSV10 Crimping Head CSV10	Kontakt P/N Contact P/N	Drahtgrosse Wire Range AWG	Crimphoehe Crimp height mm	Crimpbreite Crimp width mm
2-1579015-2	5-1579001-5	5-1105300-1	AWG 12	*	*
		5-1105301-1	AWG 12	*	*

* Crimpdaten nach Verarbeitungsspezifikation 114-74013 (Aenderungen vorbehalten)
 Crimp data according to application specification 114-74013 (subject to technical modifications)

THIS DRAWING IS A CONTROLLED DOCUMENT FOR TYCO ELECTRONICS CORPORATION IT IS SUBJECT TO CHANGE AND THE CONTROLLING ENGINEERING ORGANIZATION SHOULD BE CONTACTED FOR THE LATEST REVISION.		DWN	13FEB2008	Tyco Electronics AMP GmbH 64625 Bensheim (Germany)	
DIMENSIONS: mm		CHK	-	NAME CSV10 HAND TOOL FOR SOLARLOK AWG 12 CSV10 Handzange fuer Solarlok AWG 12	
TOLERANCES UNLESS OTHERWISE SPECIFIED: 0 PLC ± 1 PLC ± 2 PLC ± 3 PLC ± 4 PLC ± ANGLES ±1°		APVD	-	RESTRICTED TO	
MATERIAL -		PRODUCT SPEC	-	SIZE	A3
FINISH -		APPLICATION SPEC	-	CAGE CODE	00779
		WEIGHT	425 g	DRAWING NO	C=1-1579004-9
		CUSTOMER DRAWING		SCALE	1:1
				SHEET	1 OF 1
				REV	C