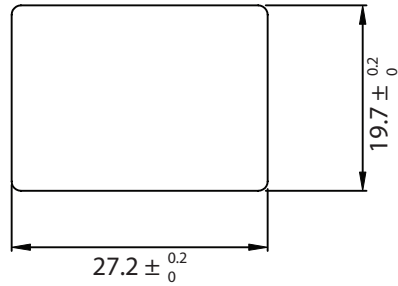
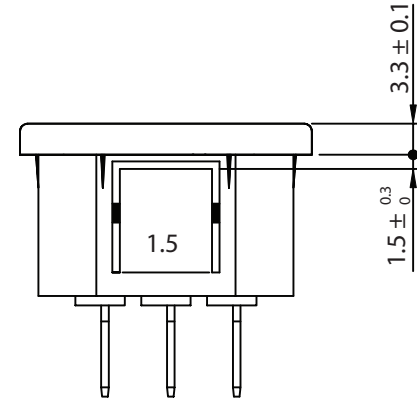
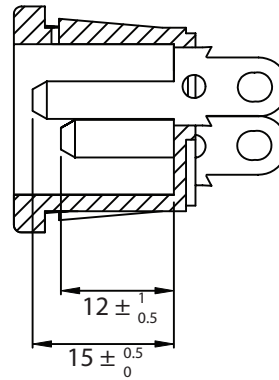
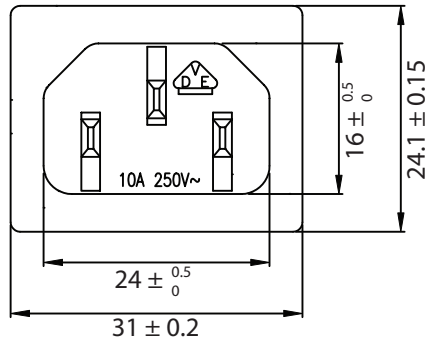
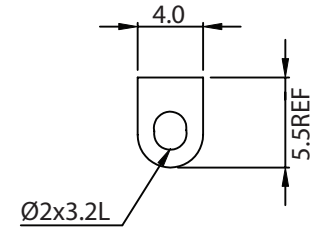
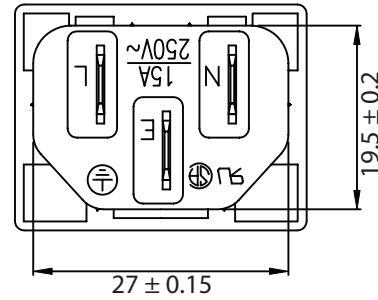


THESE DRAWINGS ARE THE PROPERTY OF QUALTEK ELECTRONICS AND NOT TO BE REPRODUCED FOR OR COMMUNICATED TO A THIRD PARTY WITHOUT THE EXPRESS WRITTEN PERMISSION OF AN OFFICER OF QUALTEK ELECTRONICS.

REVISION			
REV.	DESCRIPTION	DATE	APPROVED
B	RoHS Compliancy	06-01-06	DP
C	Updated Approvals	07-18-08	DP



PANEL CUTOUT



NOTES:

RATING:

UL, CSA: 15A 250V AC

VDE: 10A 250V AC

APPROVALS: UL, CSA, VDE, CCC

PANEL THICKNESS: 1.5mm

RoHS COMPLIANT

**CONTROLLED**

Dim range (mm)		Tolerance +/- (mm)	Qualtek Electronics Corp. PPC DIVISION	
0-1		0.15	Part Number: 701W-15/21	RoHS Compliant
1-6		0.20	Description: SNAP-IN INLET	
6-18		0.30		
18-50		0.50	UNIT: mm	REV. C
50-120		0.70	Drawn / Date	Checked / Date
120-250		0.90	B.ZHANG 01-21-03	01-21-03
250-500		1.20		JJH / 01-21-03