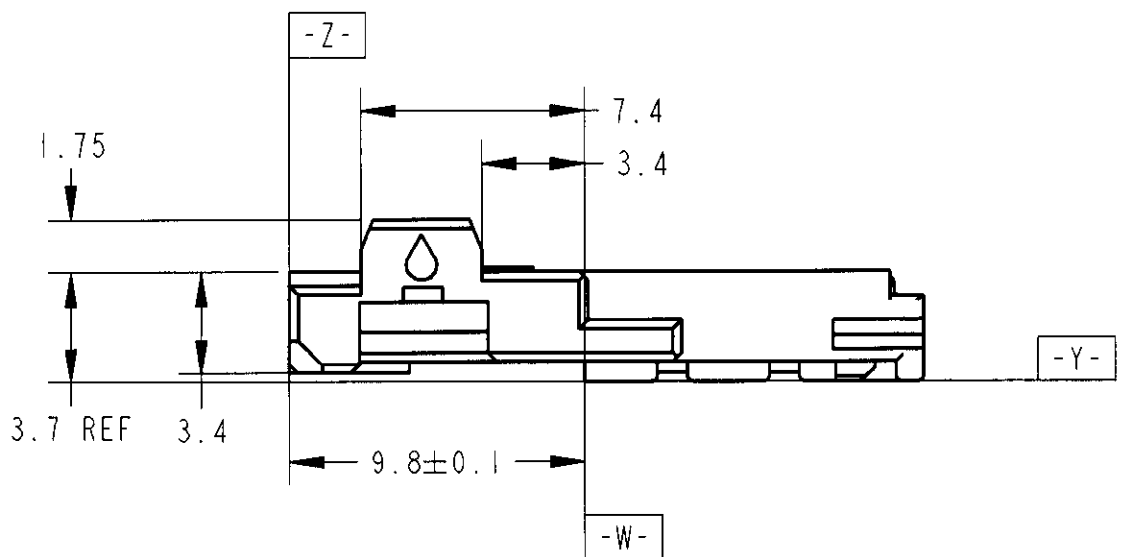
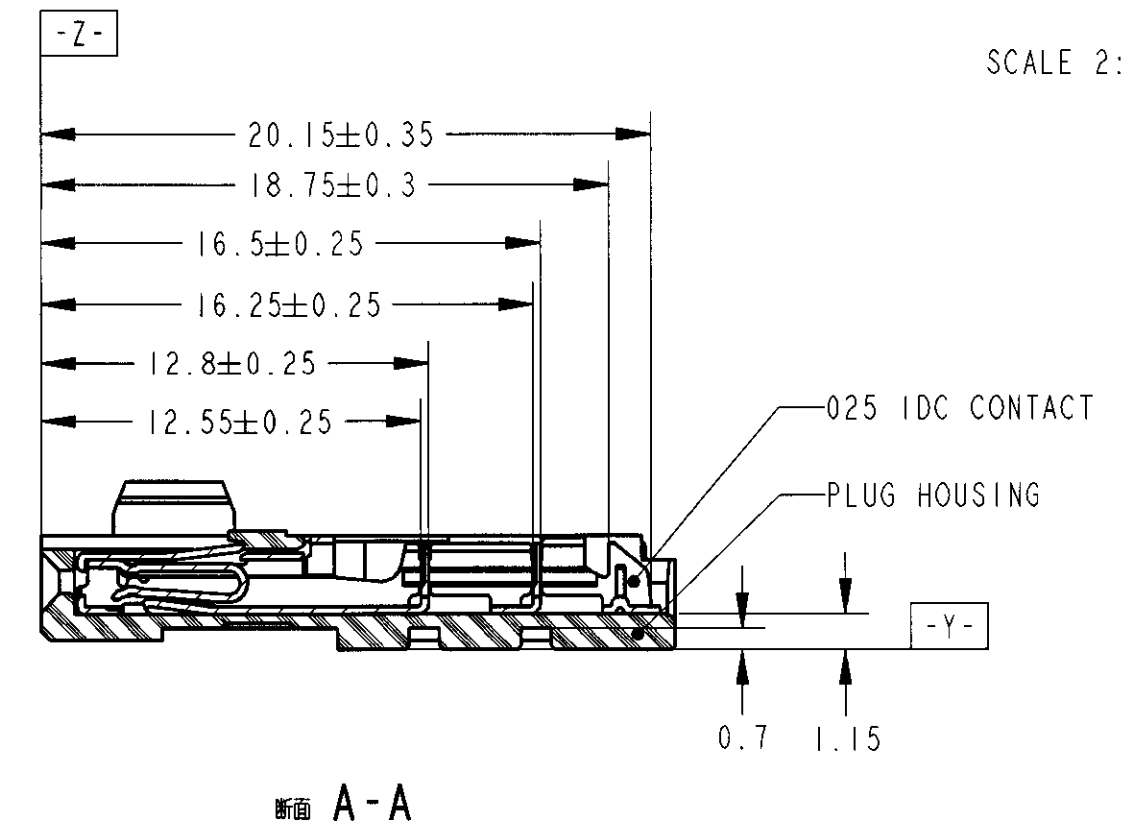
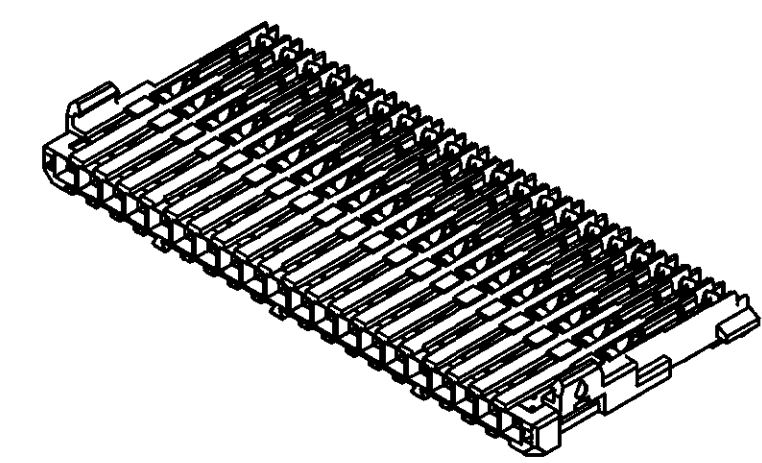
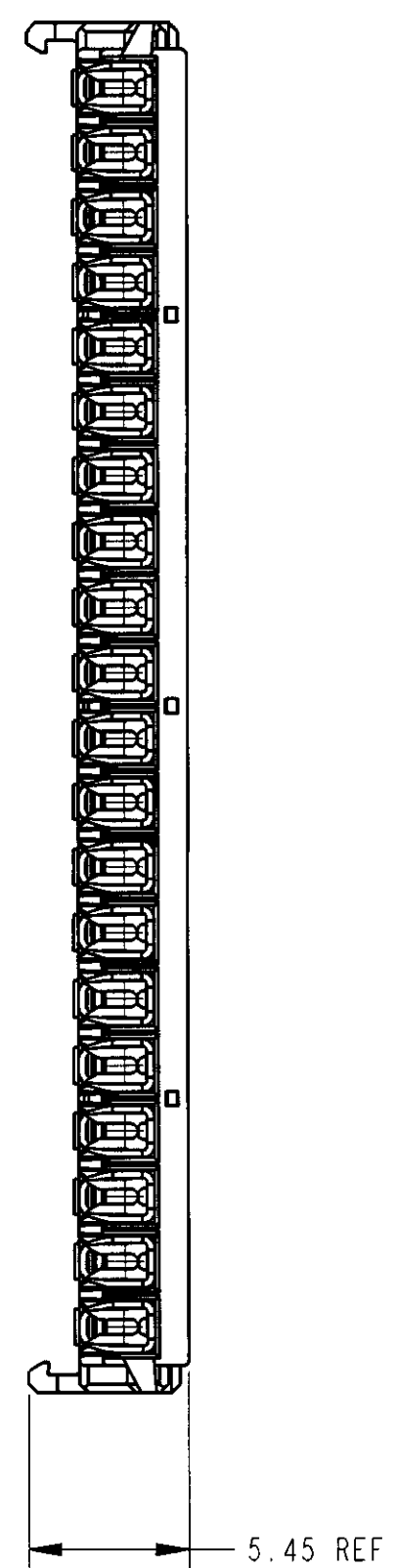
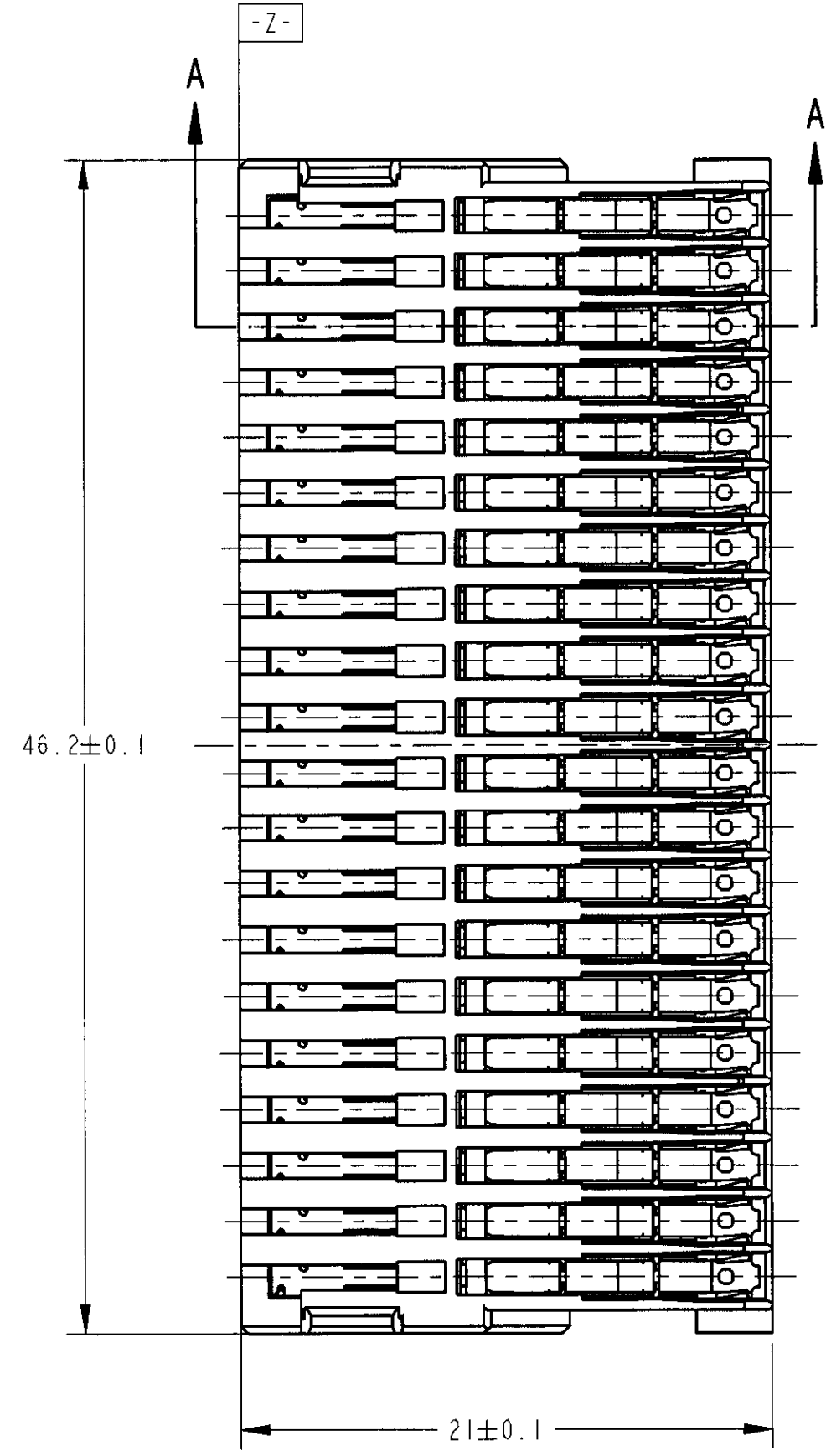
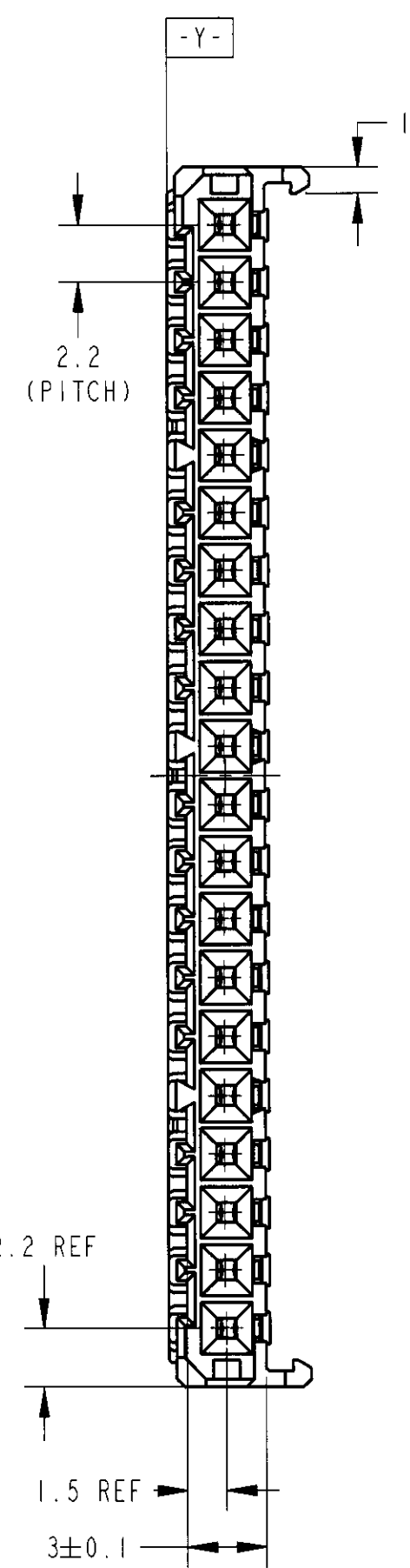


THIS DRAWING IS UNPUBLISHED. RELEASED FOR PUBLICATION
 BY AMP INCORPORATED. ALL RIGHTS RESERVED.

LOC	DIST	REVISIONS					
J		P	LTR	DESCRIPTION	DATE	DWN	APVD
		O		作成 RELEASED (FJ00-0314-00)	22FEB00	S.A	N.S



- 取扱説明書: 411-5912
 - 本品はロックハウジング型番 1318695を装着して使用する。
 - 嵌合相手型番: 1318384
- INSTRUCTION SHEET: 411-5912
 - PLUG HOUSING MUST BE USED WITH LOCK HOUSING
P/N: 1318695
 - PART NUMBER OF HOUSINGS TO BE MATED: 1318384

NATURAL	1318691-1
HOUSING COLOR	PART NUMBER

THIS DRAWING IS A CONTROLLED DOCUMENT FOR AMP INCORPORATED. IF IT IS SUBJECT TO CHANGE, AND THE CONTROLLING ENGINEERING ORGANIZATION SHOULD BE CONTACTED FOR THE LATEST REVISION.		DWN S. AMEMIYA	22FEB00	AMP Tyco Electronics AMP K.K. Kawasaki, Japan
DIMENSIONS: 単位: ㎜		CHK N. SAI	22FEB00	
TOLERANCES UNLESS OTHERWISE SPECIFIED: 一般公差 = ±0.3		APVD N. SAI	22FEB00	
0-PLC ±		PRODUCT SPEC 108-5660		20POSITION PLUG ASSEMBLY 025 IDC CONNECTOR
1-PLC ±		APPLICATION SPEC 114-5276		
2-PLC ±		WEIGHT 6.1g		SIZE A2
3-PLC ±		CAGE CODE 00779		DRAWING NO C-1318691
4-PLC ±		CUSTOMER DRAWING		SCALE 4:1
ANGLES ±3°		FINISH HSG: PBT CONT: Cu Alloy		SHEET 1 OF 1
FINISH HSG: SEE TABLE CONT: POST TIN		REV 0		