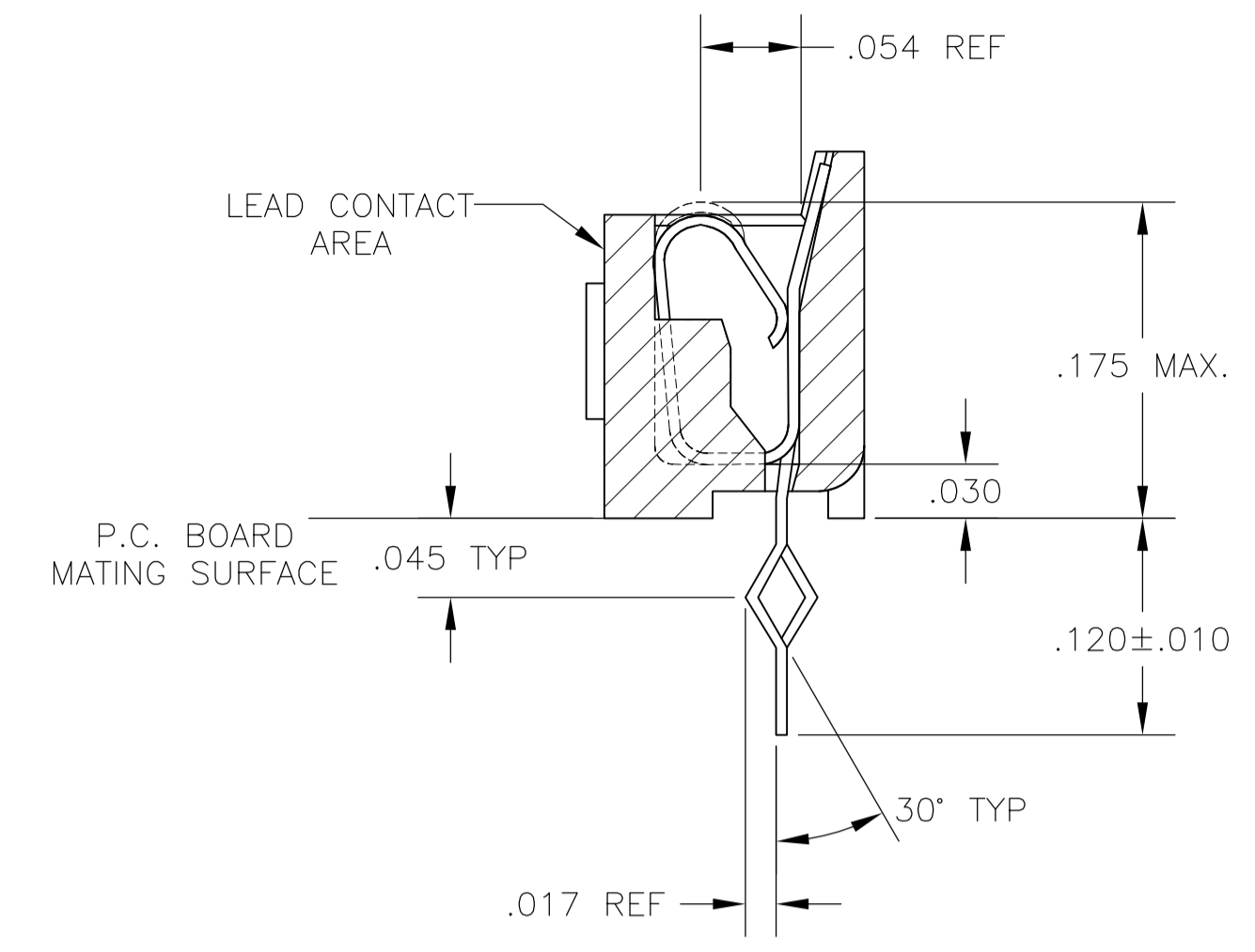
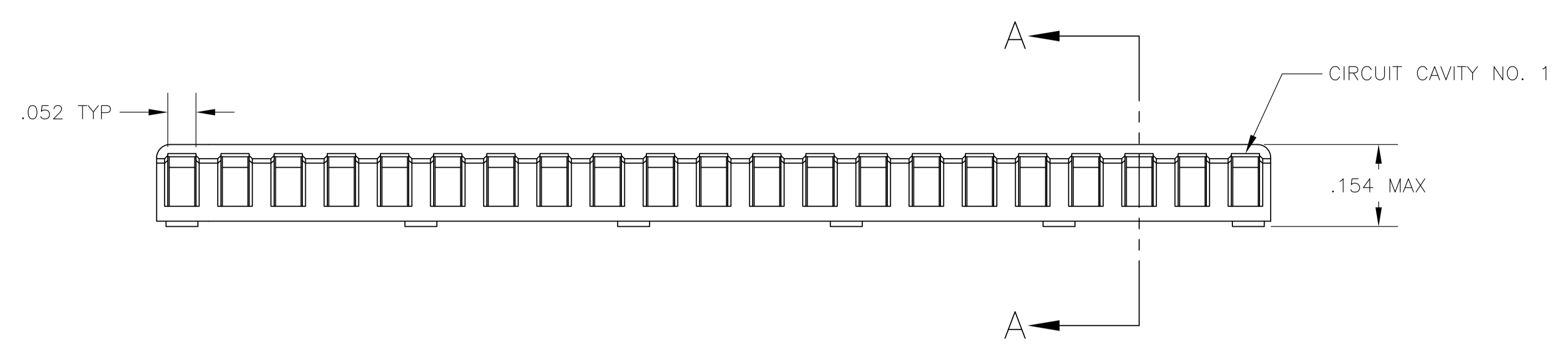
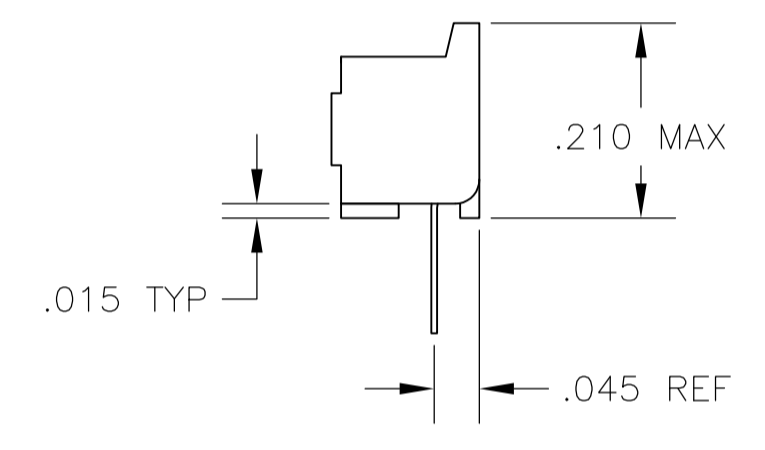


LOC		DIST		REVISIONS			
AD	00	REV	PER	DESCRIPTION	DATE	BY	APPD
L		REV PER	OG3C-0104-01		04SEP01	RB	JO
L1		REVISED PER	ECO-09-021510		14SEP09	KK	AEG

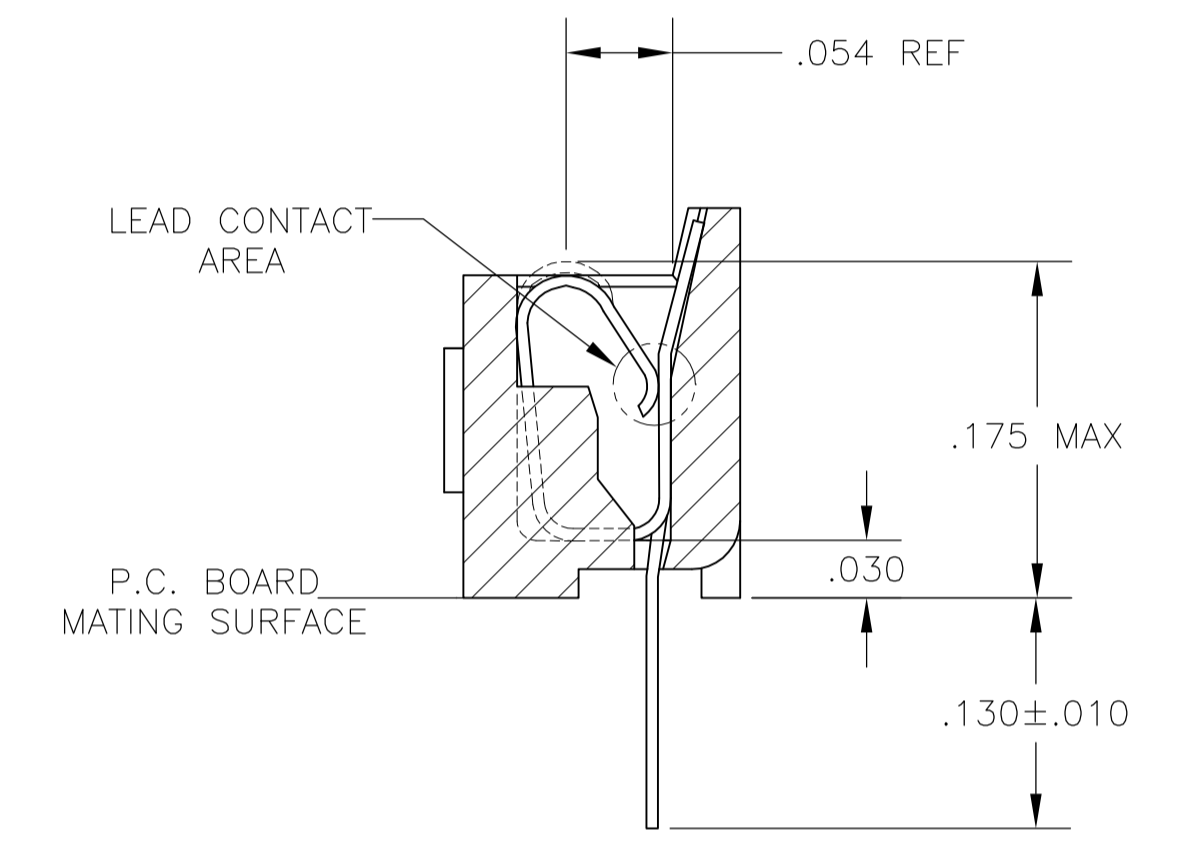


SECTION A-A

ROTATED 90° CW  
 SCALE 10:1  
 FOR -6, -7 & -8 ONLY

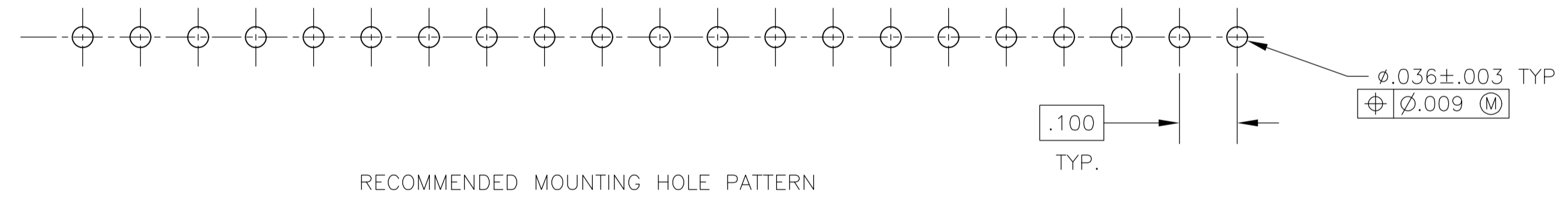
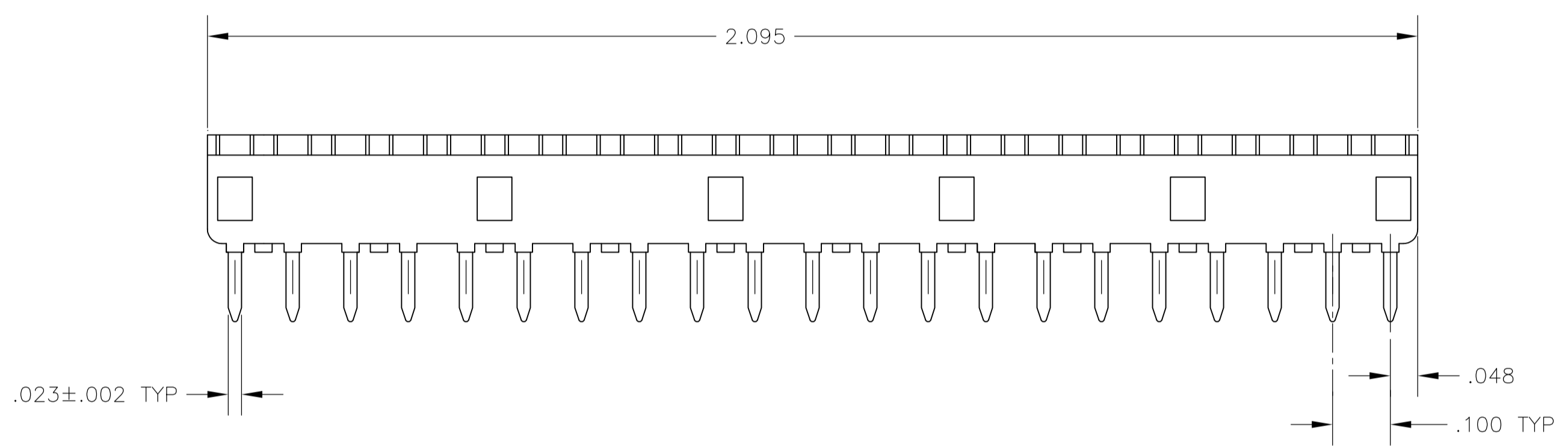


1. RECEPTACLE ACCEPTS AN .008-.014 THK. I.C. LEAD.
2. TWO .000030 MIN.THK.GOLD STRIPES IN CONTACT AREA, TIN-LEAD(93-7) ON CONTACT LEGS, BALANCE OF CONTACT NICKEL PLATED.
3. TWO .000015 MIN.THK.GOLD STRIPES IN CONTACT AREA, TIN-LEAD(93-7) ON CONTACT LEGS, BALANCE OF CONTACT NICKEL PLATED.
4. OBSOLETE PARTS: OBSOLETE CIS STREAMLINING PER D.RENAUD/D.SINISI



SECTION A-A

ROTATED 90° CW  
 SCALE 10:1  
 FOR -1, -2 & -3 ONLY



CONTACT FINISH	CONTACT MAT'L	HOUSING MATERIAL	PART NO.
OBSOLETE	TINNED	PHOS.BRZ.	GLASS-FILLED THERMOPLASTIC, 94V-O, BLACK
OBSOLETE	TINNED	BE.CU.	GLASS-FILLED THERMOPLASTIC, 94V-O, BLACK
OBSOLETE	TINNED	BE.CU.	GLASS-FILLED THERMOPLASTIC, 94V-O, BLACK
SUPSD BY 643653-2	TINNED	PHOS.BRZ.	GLASS-FILLED THERMOPLASTIC, 94V-O, BLACK
OBSOLETE	TINNED	PHOS.BRZ.	GLASS-FILLED THERMOPLASTIC, 94V-O, BLACK
OBSOLETE	TINNED	BE.CU.	GLASS-FILLED THERMOPLASTIC, 94V-O, BLACK
OBSOLETE	TINNED	BE.CU.	GLASS-FILLED THERMOPLASTIC, 94V-O, BLACK

THIS DRAWING IS A CONTROLLED DOCUMENT.

DIMENSIONS: INCHES	TOLERANCES UNLESS OTHERWISE SPECIFIED:	DIN M. CYRUS 01JUNE84	Tyco Electronics Corporation Harrisburg, Pa 17105-3608
0 PLC ± -	1 PLC ± -	CHK N. JONES 03JULY84	NAME
2 PLC ± -	3 PLC ± .005	APVD J. GRAY 10JULY84	PRODUCT SPEC
4 PLC ± -	ANGLES ± ± 1'		108-1066
MATERIAL SEE TABLE	FINISH SEE TABLE	SIZE	APPLICATION SPEC
		114-1049	114-1049
		WEIGHT	RESTRICTED TO
		A1 00779	643653
		CUSTOMER DRAWING	SCALE 5:1 SHEET 1 OF 1 REV L1