

Dual 20V N-Channel Power MOSFET

GWS9293

The GWS9293 is a dual 20V, 16mΩ, N-channel power MOSFET used for Li ion battery protection. It is offered in a 2mmx2mm MLPD with a very low thickness profile, 1mm maximum thickness. The device has extremely high power density, reducing the board size of Li-ion battery power system. Designed for handheld devices with a high level of ESD protection.

PRODUCT SUMMARY

$V_{(BR)DSS}$	$I_D = 250\mu A$	20V	Minimum
$r_{DS(ON)}$	$V_{GS} = 4.5V$	16mΩ	Typical

Features

- Low $r_{DS(ON)}$ in a small footprint
- Ultra low gate charge and figure of merit
- MLPD 2mmx2mm package
- Low thermal resistance

Applications

- Li-ion battery protection
- Portable devices, cell phones, PDA
- Rated for short-circuit and overcurrent protection
- Integrated gate diodes provide ESD protection of 2.5kV HBM

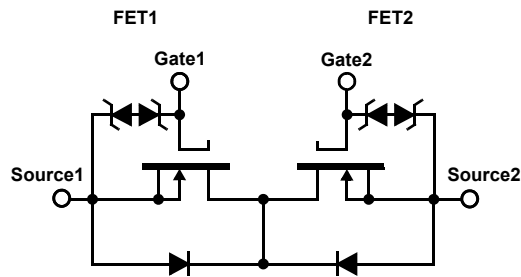


FIGURE 1. EQUIVALENT CIRCUIT

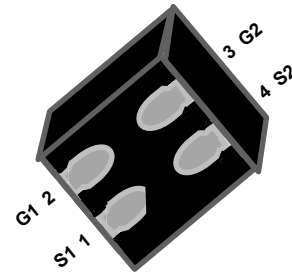


FIGURE 2. MLPD BOTTOM SIDE

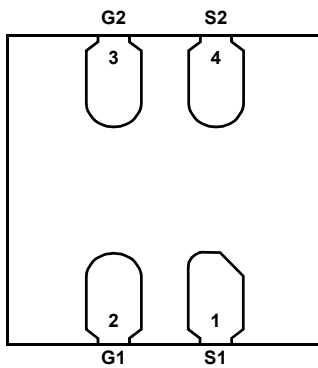
GWS9293

Ordering Information

PART NUMBER	PART MARKING	TEMP RANGE (°C)	PACKAGE (RoHS Compliant)
GWS9293	93	-55 to +150	4 Ld QFN

Pin Configuration

GWS9293
(4 LD QFN)
BOTTOM VIEW



Pin Descriptions

PIN #	PIN NAME	DESCRIPTION
1	S1	Source of FET1
2	G1	Gate of FET1
3	G2	Gate of FET2
4	S2	Source of FET2

GWS9293

Absolute Maximum Ratings [\(Note 1\)](#)

Drain-to-Source Voltage (V_{DS})	20V
Gate-to-Source Voltage (V_{GS})	$\pm 12V$
Drain Current (I_D) (Note 2)	
$T_A = +25^\circ C$	9.4A (10s), 6.0A (Steady State)
$T_A = +70^\circ C$	7.5A (10s), 4.8A (Steady State)
Drain Current ($R_{thjFoot}$)	
$T_F = +25^\circ C$	14.1A (Steady State)
Pulsed Drain Current (I_{DM})	60A
ESD Rating	
Human Body Model	2.5kV

Thermal Information

Thermal Resistance (Typical)	θ_{JA} ($^\circ C/W$)	θ_{JF} ($^\circ C/W$)
$t \leq 10s$	35	
Steady State	85	16
Maximum Power Dissipation (P_D) (Note 2)		
$T_A = +25^\circ C$	3.6W (10s)	1.47W (Steady State)
$T_A = +70^\circ C$	2.29W (10s)	0.94W (Steady State)
Junction and Storage Temperature Range (T_J, T_{stg})	$-55^\circ C$ to $+150^\circ C$	
Pb-Free Reflow Profile	see TB493	

CAUTION: Do not operate at or near the maximum ratings listed for extended periods of time. Exposure to such conditions may adversely impact product reliability and result in failures not covered by warranty.

NOTES:

1. $T_J = +25^\circ C$ unless otherwise noted.
2. Surface mounted on FR4 board.

Electrical Characteristics $T_J = +25^\circ C$ unless otherwise noted.

SYMBOL	PARAMETER	TEST CONDITIONS	MIN (Note 3)	TYP (Note 4)	MAX (Note 3)	UNIT
STATIC						
$V_{(BR)DSS}$	Drain-to-Source Breakdown Voltage	$V_{GS} = 0V, I_D = 250\mu A$	20			V
I_{DSS}	Zero Gate Voltage Drain Current	$V_{GS} = 0V, V_{DS} = 20V$			1	μA
I_{GSS}	Gate Body Leakage	$V_{DS} = 0V, V_{GS} = \pm 8V$			± 10	μA
$V_{GS(th)}$	Gate Threshold Voltage	$V_{DS} = V_{GS}, I_D = 1mA$	0.5	0.8	1.5	V
$r_{DS(ON)}$	Drain-to-Source On-State Resistance (Note 5) (per MOSFET)	$V_{GS} = 4.5V, I_D = 3A$	11	16	17	m Ω
		$V_{GS} = 4.0V, I_D = 3A$	11	17	19	m Ω
		$V_{GS} = 3.1V, I_D = 3A$	12	19	22	m Ω
		$V_{GS} = 2.5V, I_D = 3A$	15	22	28	m Ω
$r_{SS(ON)}$	Source-to-Source On-State Resistance (Note 5) (both MOSFETs in series)	$V_{GS} = 4.5V, I_{SS} = 3A$	22	31	35	m Ω
		$V_{GS} = 4.0V, I_{SS} = 3A$	23	33	37	m Ω
		$V_{GS} = 3.1V, I_{SS} = 3A$	24	38	44	m Ω
		$V_{GS} = 2.5V, I_{SS} = 3A$	30	44	55	m Ω
V_{SD}	Source-to-Drain Diode Voltage	$V_{GS} = 0, I_S = 6A$	0.5	0.8	1	V
DYNAMIC						
Q_g	Total Gate Charge	$V_{DS} = 16V, I_D = 6.0A, V_{GS} = 4.0V$		3.5		nC
C_{iss}	Input Capacitance	$V_{DS} = 10V, V_{GS} = 0V, f = 1MHz$		400		pF
C_{oss}	Output Capacitance			120		pF
C_{rss}	Reverse Transfer Capacitance			100		pF

NOTES:

3. Compliance to datasheet limits is assured by one or more methods: production test, characterization and/or design..
4. Typical values are for $T_A = +25^\circ C$.
5. Good Kelvin measurement required.

Test Circuit Examples for Measuring FET1 Key Parameters

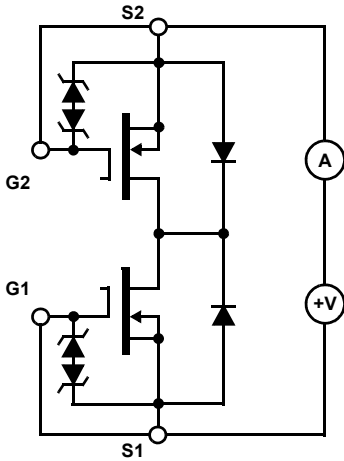


FIGURE 3. I_{SSS} TEST CIRCUIT

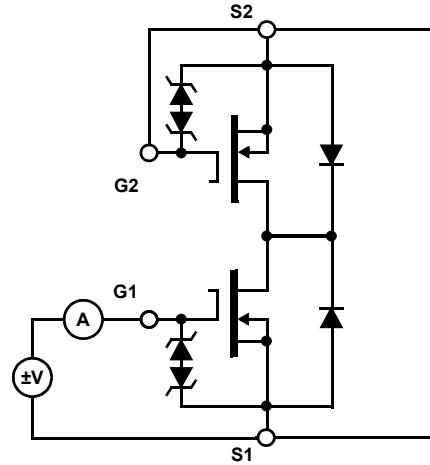


FIGURE 4. I_{GSS} TEST CIRCUIT

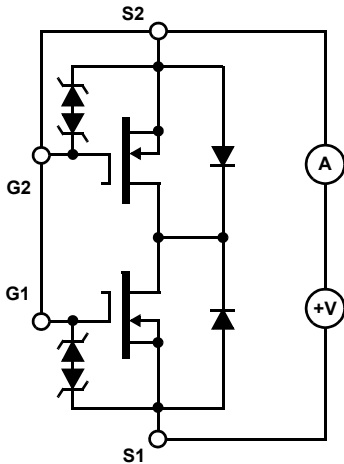


FIGURE 5. $V_{GS(th)}$ TEST CIRCUIT

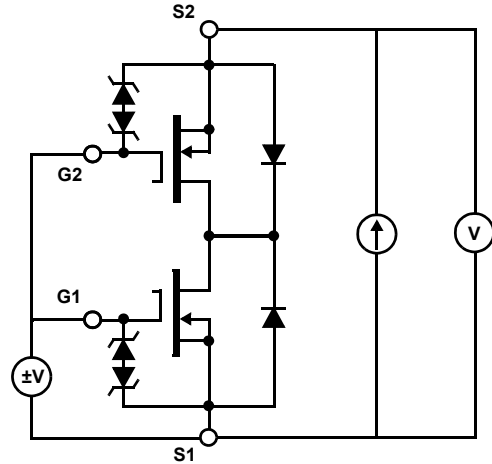


FIGURE 6. $r_{SS(ON)}$ TEST CIRCUIT

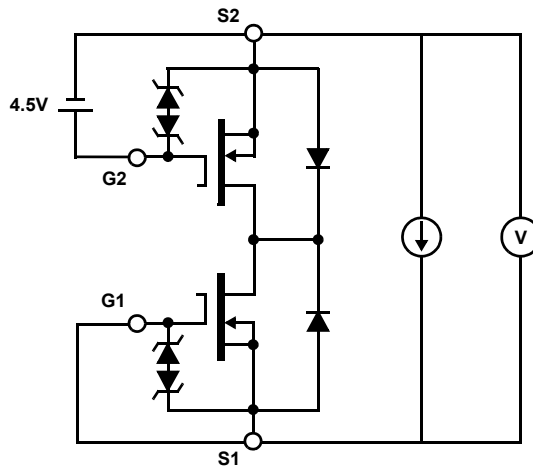


FIGURE 7. V_{FS-S} TEST CIRCUIT

Typical Performance Curves

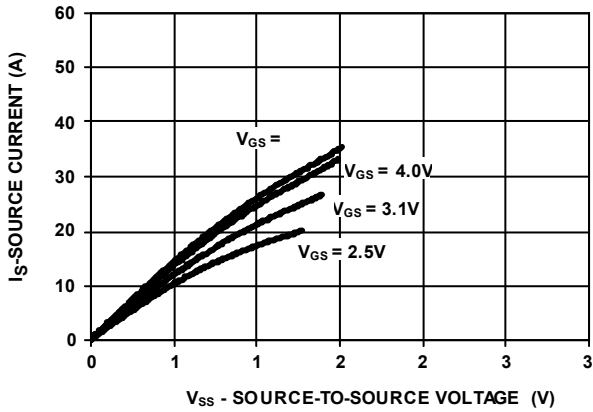


FIGURE 8. OUTPUT CHARACTERISTICS

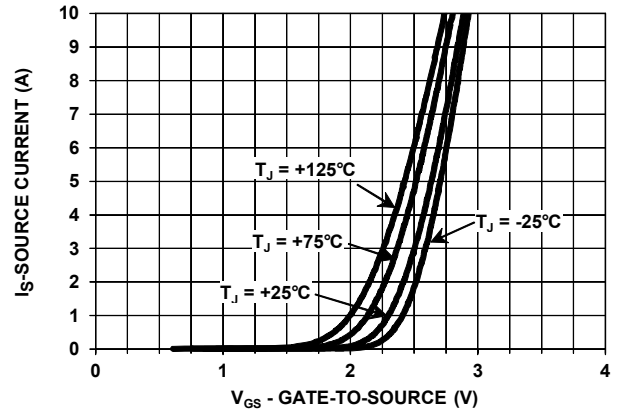


FIGURE 9. TRANSFER CHARACTERISTICS

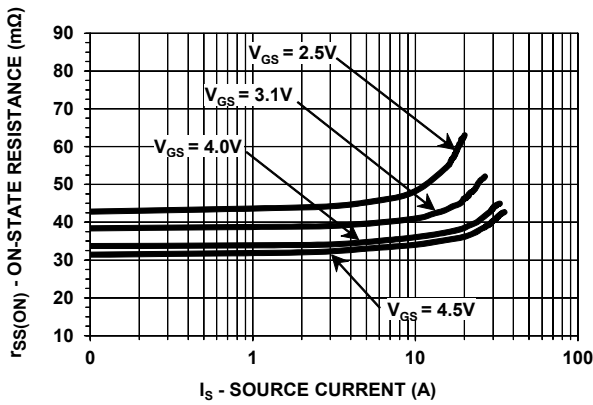


FIGURE 10. SOURCE-TO-SOURCE ON-STATE RESISTANCE vs SOURCE CURRENT

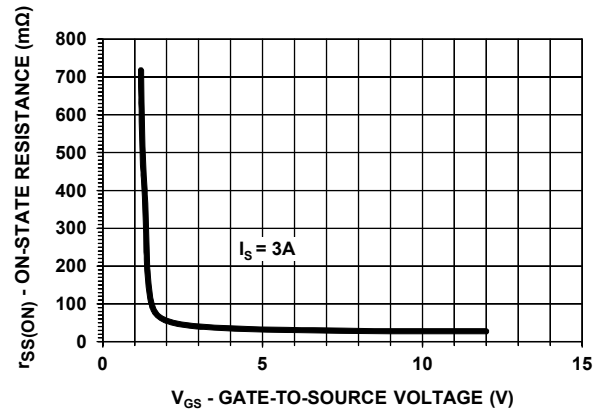


FIGURE 11. SOURCE-TO-SOURCE ON-STATE RESISTANCE vs GATE-TO-SOURCE VOLTAGE

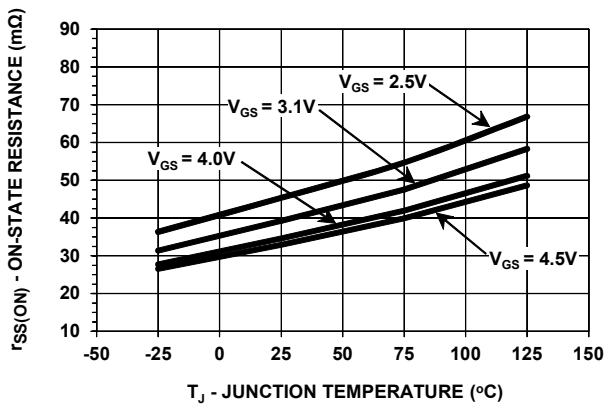


FIGURE 12. SOURCE-TO-SOURCE ON-STATE RESISTANCE vs JUNCTION TEMPERATURE

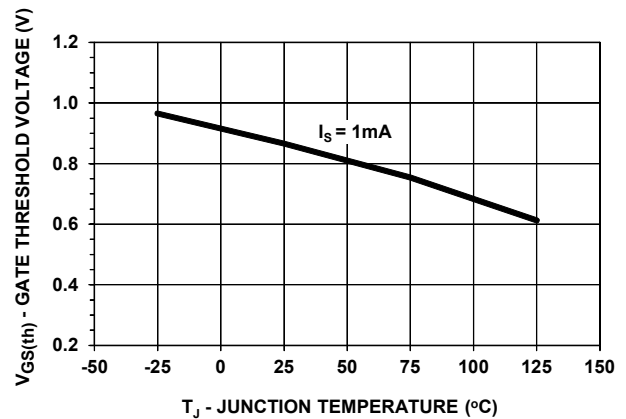


FIGURE 13. GATE THRESHOLD VOLTAGE vs JUNCTION TEMPERATURE

Typical Performance Curves (Continued)

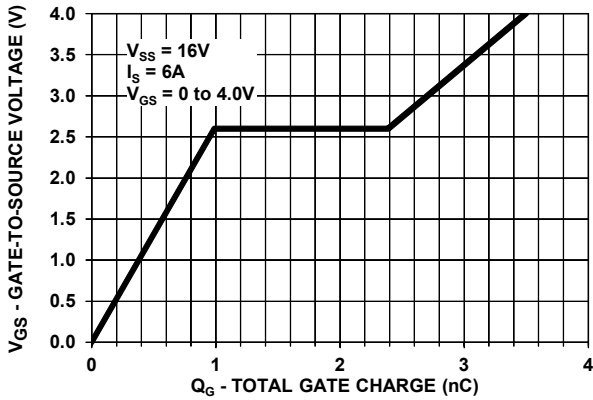


FIGURE 14. GATE CHARGE

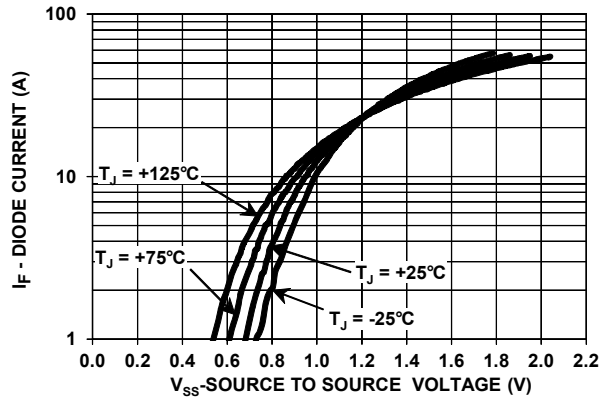


FIGURE 15. SOURCE-TO-SOURCE DIODE FORWARD VOLTAGE

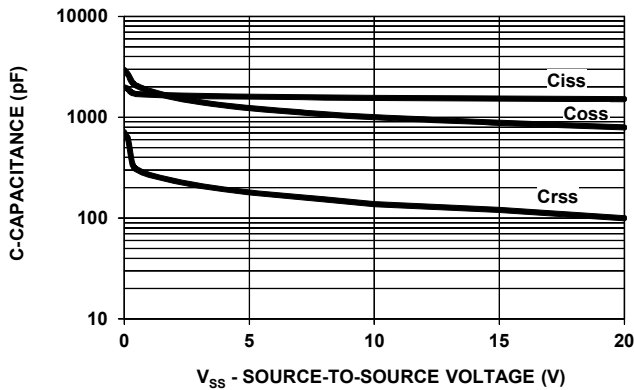


FIGURE 16. CAPACITANCE

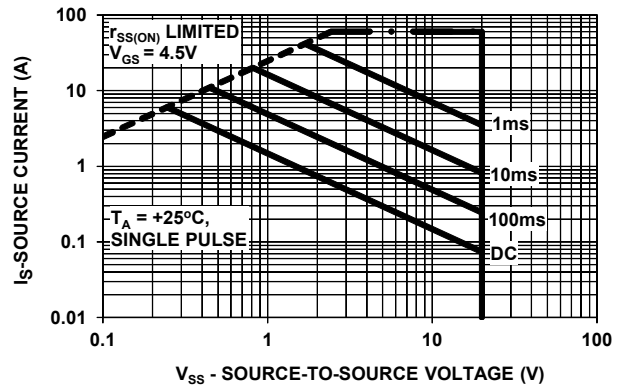


FIGURE 17. MAXIMUM RATED FORWARD BIASED SAFE OPERATING AREA

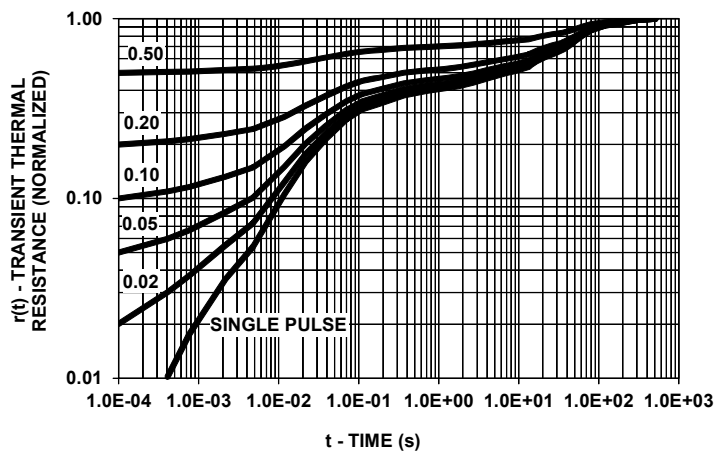


FIGURE 18. TRANSIENT THERMAL RESPONSE, JUNCTION-TO-AMBIENT

Revision History

The revision history provided is for informational purposes only and is believed to be accurate, but not warranted. Please go to the web to make sure that you have the latest revision.

DATE	REVISION	CHANGE
December 21, 2015	FN8785.1	Added "Note 1. $T_J = +25^\circ\text{C}$ unless otherwise noted." to Abs Max on page 3.
October 30, 2015	FN8785.0	Initial release.

About Intersil

Intersil Corporation is a leading provider of innovative power management and precision analog solutions. The company's products address some of the largest markets within the industrial and infrastructure, mobile computing and high-end consumer markets.

For the most updated datasheet, application notes, related documentation and related parts, please see the respective product information page found at www.intersil.com.

You may report errors or suggestions for improving this datasheet by visiting www.intersil.com/ask.

Reliability reports are also available from our website at www.intersil.com/support.

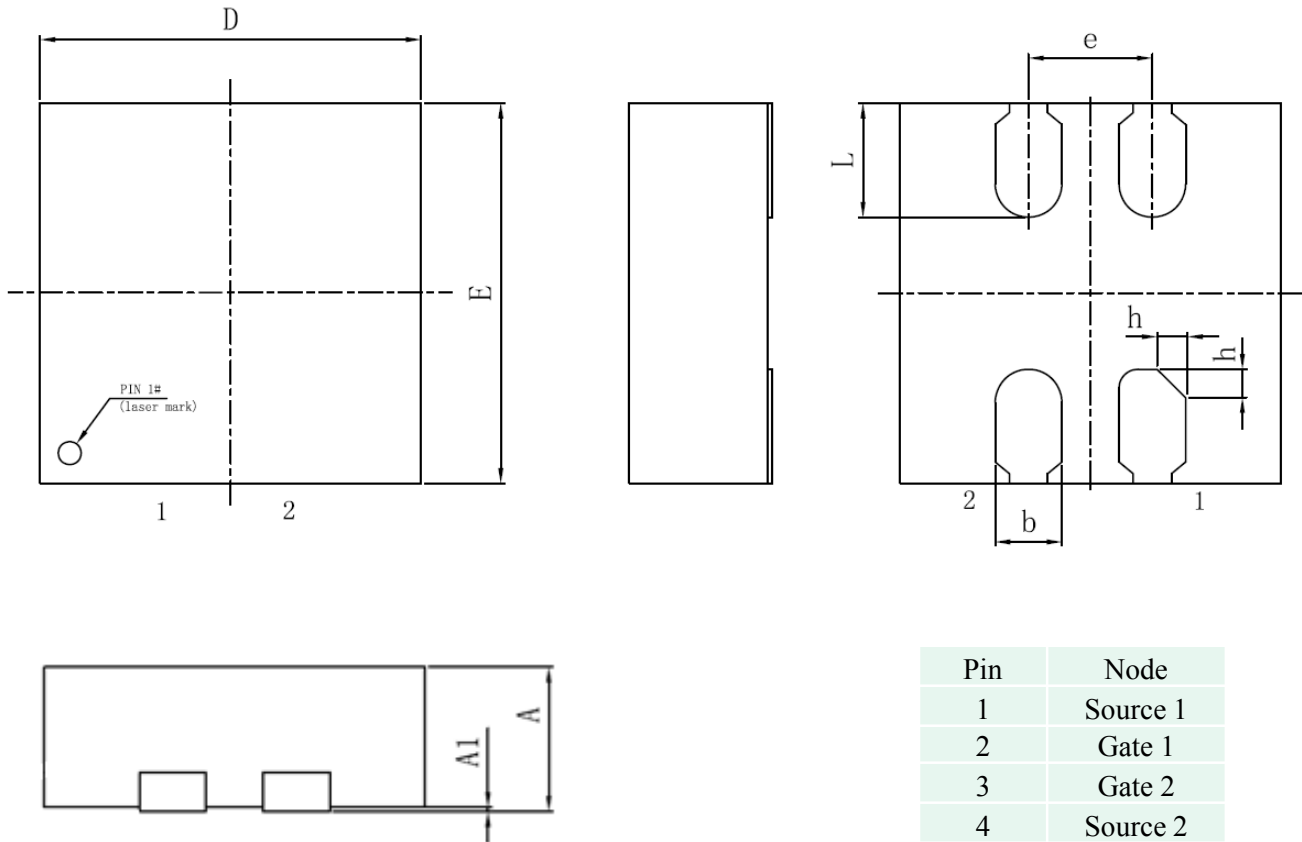
For additional products, see www.intersil.com/en/products.html

Intersil products are manufactured, assembled and tested utilizing ISO9001 quality systems as noted in the quality certifications found at www.intersil.com/en/support/qualandreliability.html

Intersil products are sold by description only. Intersil Corporation reserves the right to make changes in circuit design, software and/or specifications at any time without notice. Accordingly, the reader is cautioned to verify that data sheets are current before placing orders. Information furnished by Intersil is believed to be accurate and reliable. However, no responsibility is assumed by Intersil or its subsidiaries for its use; nor for any infringements of patents or other rights of third parties which may result from its use. No license is granted by implication or otherwise under any patent or patent rights of Intersil or its subsidiaries.

For information regarding Intersil Corporation and its products, see www.intersil.com

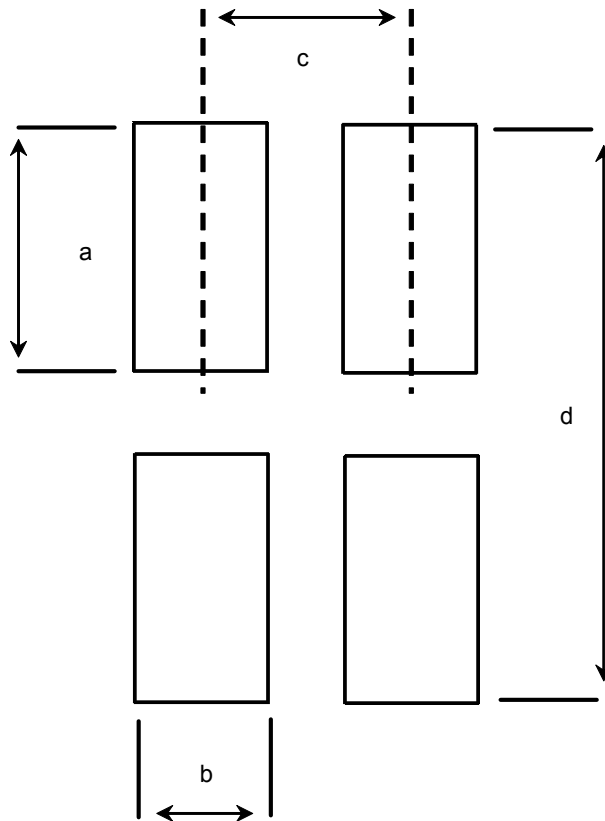
Package Outline and Dimensions



Symbol	Min	Nom	Max
A	0.70		1.00
A1		0.02	0.05
b	0.275		0.400
D	2.00 BSC		
E	2.00 BSC		
e	0.65 BSC		
L	0.55	0.60	0.65
h	0.10	0.15	0.20

All dimensions in mm

Mounting Pad Layout and Dimensions



Symbol	Min	Nom	Max
a	0.788	0.838	0.888
b	0.358	0.381	0.404
c	0.65 BSC		
d	2.22	2.365	2.50

All dimensions in mm