

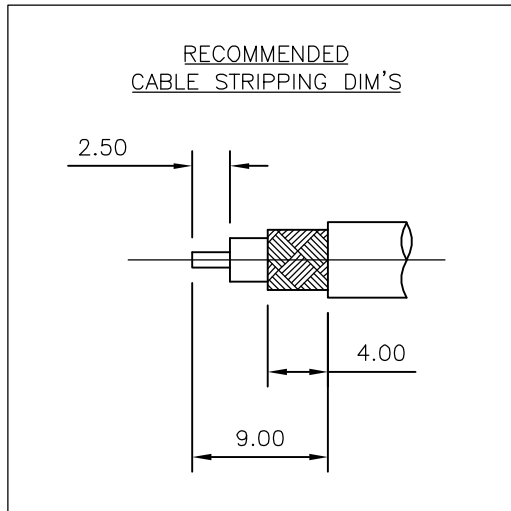
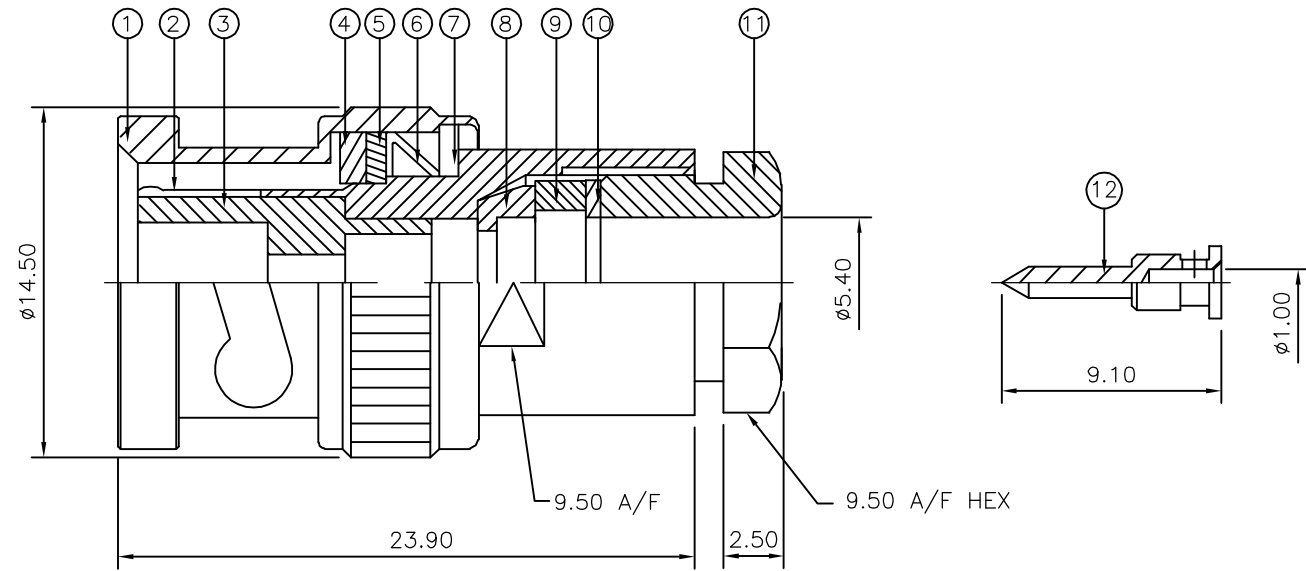
THIS DRAWING IS UNPUBLISHED. RELEASED FOR PUBLICATION NOV ,2005.

© COPYRIGHT 2005 BY TYCO ELECTRONICS CORPORATION. ALL RIGHTS RESERVED.

LOC	DIST	REVISIONS					
E	B	P	LTR	DESCRIPTION	DATE	DWN	APVD
			C	ECR-05-015880	18NOV05	JMS	FWK

NOTES:

- 1 PACK IN ACCORDANCE WITH AMP SPEC 107-3275
- 2 100 TRAY PACK IN ACCORDANCE WITH AMP SPEC 107-3275
- 3 Ag PLATING
- 4 THIS ITEM MUST BE WHITE
- 5 ELECTRICAL CHARACTERISTICS  
 FREQUENCY RANGE: DC - 4 GHz  
 NOMINAL IMPEDANCE: 50 Ohm  
 INSULATION RESISTANCE: 5000 MOhm  
 WORKING VOLTAGE: 500 Volts RMS at Sea Level  
 DIELECTRIC WITHSTAND VOLTAGE: 1500 Volts RMS Max  
 CONTACT RESISTANCE:  
 CENTRE CONTACT: 1.50 mOhm Max  
 OUTER CONTACT: 0.20 mOhm Max  
 VSWR @ 4GHz: 1.30:1 Max  
 INSERTION LOSS dB @ x 3 GHz: 0.20 Max
- 6 MECHANICAL CHARACTERISTICS  
 COUPLING NUT RETENTION FORCE: 445N Min  
 CABLE RETENTION FORCE: 170N Min  
 CLAMP NUT RECOMMENDED TORQUE: 4N  
 DURABILITY: 500 Cycles Min
- 7 ENVIRONMENTAL CHARACTERISTICS  
 OPERATING TEMPERATURE: -65 to +165 DegC



	1	1	BRASS	3	CONTACT	12
	1	1	BRASS	3	CLAMP NUT	11
	1	1	BRASS	3	WASHER	10
	1	1	SILICON RUBBER	4	GASKET	9
	1	1	BRASS	3	SLEEVE	8
	1	1	BRASS	3	WASHER	7
	1	1	SPRING STEEL		SPRING	6
	1	1	BRASS	3	WASHER	5
	1	1	SILICON RUBBER	4	GASKET	4
	1	1	PTFE		INSULATION	3
	1	1	BRASS	3	BODY	2
	1	1	BRASS	3	SHELL	1
	6--0	1--0			MATERIAL	DESCRIPTION
						ITEM

THIS DRAWING IS A CONTROLLED DOCUMENT.		DWN J.SANDWELL 18NOV05	Tyco Electronics Corporation Bideford EX39 4HE													
DIMENSIONS: mm		CHK S.PARLOW 18NOV05														
TOLERANCES UNLESS OTHERWISE SPECIFIED:		APVD F.WHEELER-KING 18NOV05	NAME BNC STRAIGHT PLUG SOLDER 50 OHM RG58C/U, 141A/U, URM43,76, Belden 9907,KX15													
<table border="1"> <tr><td>0 PLC</td><td>± -</td></tr> <tr><td>1 PLC</td><td>± -</td></tr> <tr><td>2 PLC</td><td>± -</td></tr> <tr><td>3 PLC</td><td>± -</td></tr> <tr><td>4 PLC</td><td>± -</td></tr> <tr><td>ANGLES</td><td>± -</td></tr> </table>		0 PLC	± -	1 PLC	± -	2 PLC	± -	3 PLC	± -	4 PLC	± -	ANGLES	± -	PRODUCT SPEC 108-3435	RESTRICTED TO	
0 PLC	± -															
1 PLC	± -															
2 PLC	± -															
3 PLC	± -															
4 PLC	± -															
ANGLES	± -															
MATERIAL SEE TABLE		FINISH -	APPLICATION SPEC 411-3252	SIZE A3												
		WEIGHT -	CAGE CODE 00779	DRAWING NO 1337421												
		CUSTOMER DRAWING	SCALE NTS	SHEET 1 OF 1												
			REV C													