

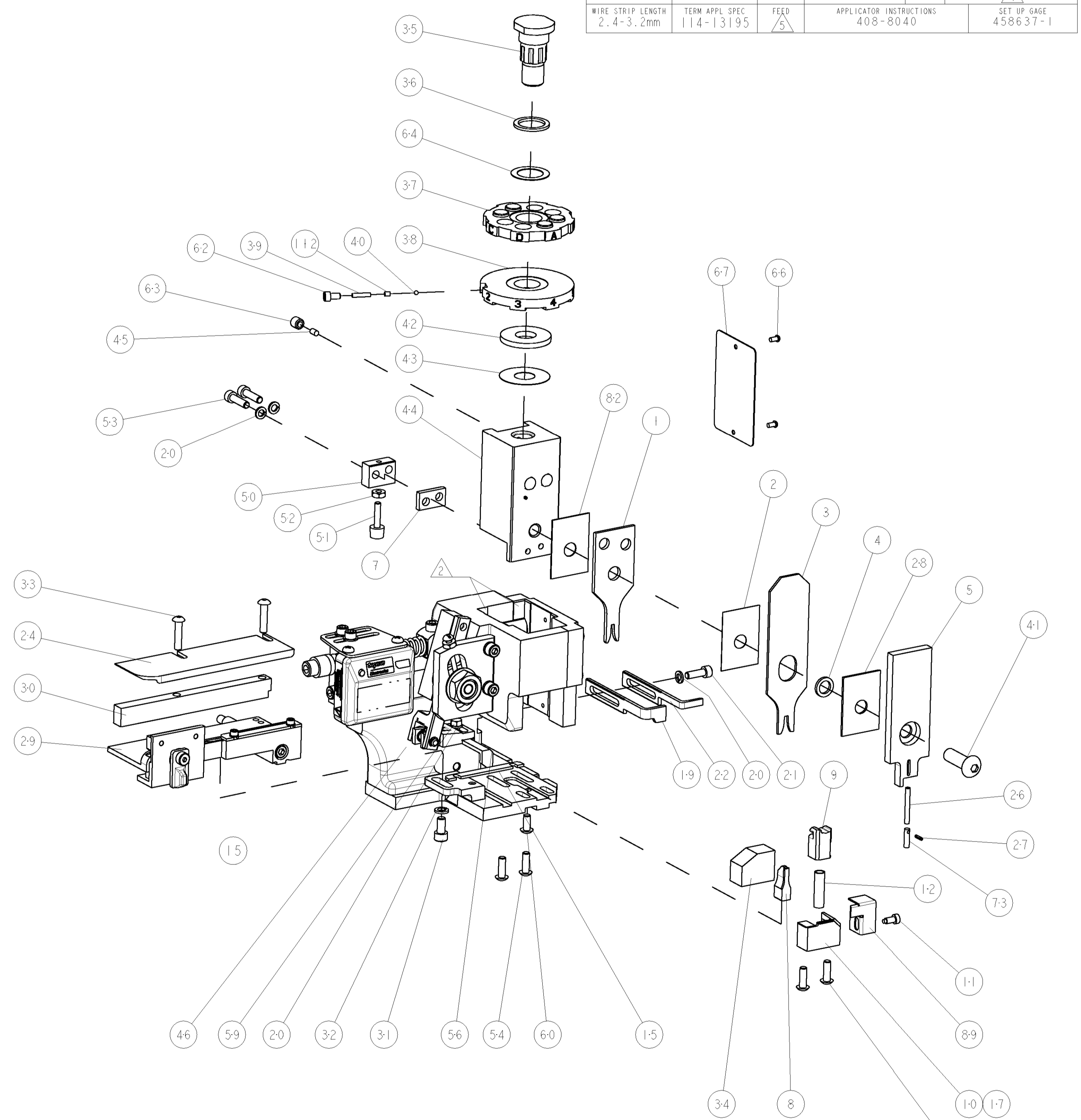
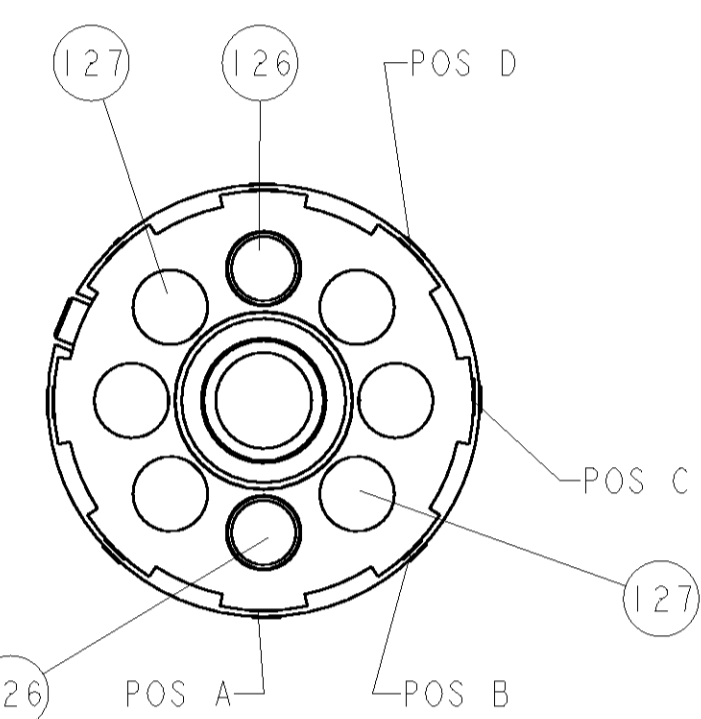
PART NUMBER	REV	FIRST USED	POWER UNIT	FEED TYPE	DESCRIPTION
1852468-1	B	122500-1	LEADMAKER	POST FEED	CUTS CARRIER
1852468-2	B	565435-5	BENCH MODEL K	PRE FEED	CUTS CARRIER
1852468-3	B	354500-1	BENCH MODEL G	PRE FEED	CUTS CARRIER
1852468-6	B	122500-1	LEADMAKER	POST FEED	CONTINUOUS CARRIER
7-1852468-7	A	-	-	-	SPARE PARTS



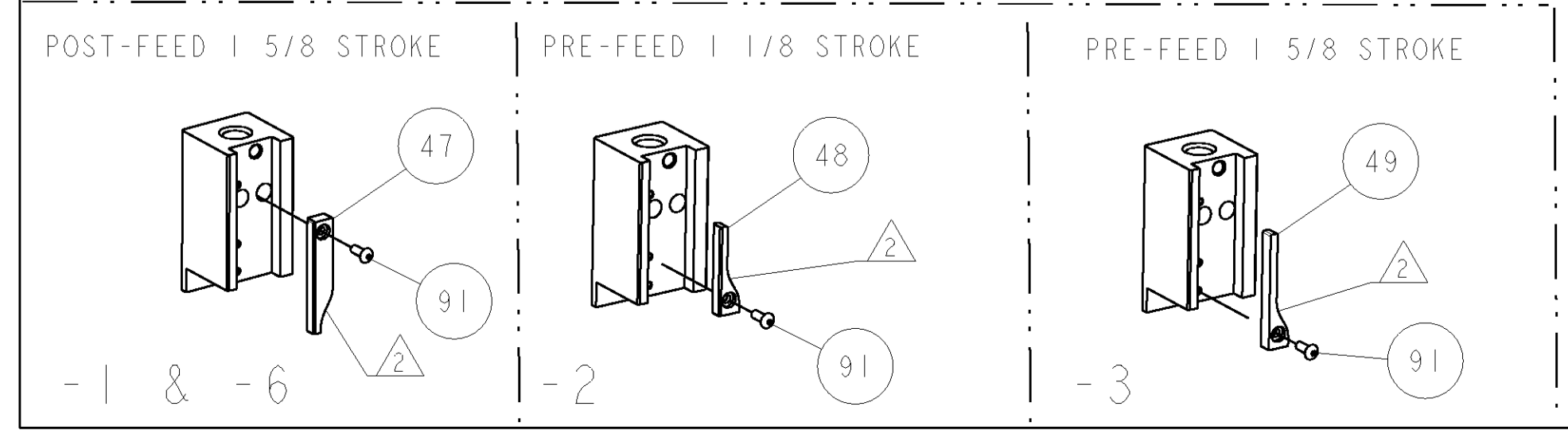
TERMINAL NAME: TE-DUAC UPC		TE TERMINAL - TE CRIMP SPECS	
1934184-1	-		
1934182-1	-		
-	-	PAD LTR	CRIMP HEIGHT
-	-	A	1.26±0.05 [.050±.002]
-	-	B	1.18±0.05 [.046±.002]
-	-	C	-
-	-	D	-
-	-	CRIMP	SIZE TYPE RANGE
-	-	WIRE	2.03 [.080] F 16-18
-	-	INSUL	2.79 [.110] F
WIRE STRIP LENGTH	TERM APPL SPEC	FEED	APPLICATOR INSTRUCTIONS
2.4-3.2mm	114-13195	△	408-8040
			SET UP GAGE 458637-1

LOC	DIST	REV	DESCRIPTION	DATE	BY	APPD
A	66					
A			PRODUCT RELEASE	15JUN2007	CMR	TE
B			ECR-07-019294	14AUG2007	MY	GB

- △ RECOMMENDED SPARE PARTS
- △ GREASE LIGHTLY
- △ GUARD MUST BE IN PLACE WHEN OPERATING APPLICATOR IN A BENCH MACHINE
- △ INSULATION RANGE (2) 18 AWG WIRES 4.40MAX 16 AWG WIRE 2.4MAX
- △ FEED 1934182-1 (PIN) 12.0mm 1934182-1 (SOCKET) 13.0mm



-	2	2	2	2	-	354779-6	PIN, WIRE DISC, .3020	127
-	2	2	2	2	-	9-354778-7	PIN, WIRE DISC, .2980	126
-	-	-	REF	-	..	455749-1	GUARD WINDOW	116
-	-	-	REF	-	..	679532-1	INSERT, GUARD	115
-	1	1	1	1	-	690603-1	SPRING ASSIST AMP-O-MATOR APPLICATOR	112
-	1	1	1	1	-	1-21002-7	SCR, BTN SKT HD CAP 6-32 X .375	91
-	1	1	1	1	-	318563-1	GUARD, FRONT CHIP	89
-	1	1	1	1	-	455888-5	SPACER, CRIMPER	82
-	1	1	1	1	-	854769-4	HOLDER, INS	73
-	1	1	1	1	-	4088040	SF APPL INST 408-8040	72
-	1	1	1	1	-	217238-1	GENERAL INSTRUCTION PKG	71
-	1	1	1	1	-	461264-1	PLATE, IDENTIFICATION	67
-	2	2	2	2	-	21017-2	SCREW, DRIVE	66
-	1	1	1	1	-	986950-1	WASHER, FLAT PRECISION	64
-	1	1	1	1	-	21009-2	SCR, SET, SELF LOCKING 1/4-20 X .250	63
-	1	1	1	1	-	23030-1	SCR, SKT HD CAP 6-32 x .25	62
-	1	1	1	1	-	22733-8	SCR, BHSC, SELF-LOCKING, 8-32 X .375	60
-	1	1	1	1	-	2-22603-0	SCR, HEX HD CAP 8-32 X .312	59
-	1	1	1	1	-	4-694433-1	FEED PAWL	56
-	4	4	4	4	-	2-21002-2	SCR, BTN SKT HD CAP 8-32 X .500	54
-	2	2	2	2	-	2-21000-8	SCR, SKT HD CAP 8-32 X .625	53
-	1	1	1	1	-	21018-5	NUT, HEX, REG 6-32	52
-	1	1	1	1	-	811242-2	BUMPER, HOLD DOWN	51
-	1	1	1	1	-	690753-1	SPACER, TONKER	50
-	-	-	-	-	..	690602-6	CAM, PRE FEED, 1 5/8	49
-	-	-	-	-	..	690602-5	CAM, PRE FEED, 1 1/8	48
-	1	1	1	1	-	690501-4	CAM, POST FEED, 1 5/8	47
-	1	1	1	1	-	459456-1	APPL. BASIC SUB ASSY (SIDE WISE MOCA)	46
-	1	1	1	1	-	690191-1	PLUG, NYLON	45
-	1	1	1	1	-	455673-1	RAM, SIDE FEED	44
-	1	1	1	1	-	690125-1	SHIM SUB-ASSY	43
-	1	1	1	1	-	690124-9	WASHER, RAM (.125)	42
-	1	1	1	1	-	7-21002-9	SCR, BTN SKT HD CAP 5/16-24 X 1.00	41
-	1	1	1	1	-	23241-6	BALL, STEEL	40
-	1	1	1	1	-	690170-1	SPRING, COMPRESSION	39
-	1	1	1	1	-	690142-2	DISC, INSULATION	38
-	1	1	1	1	-	354777-1	WIRE DISC, ASSEMBLY	37
-	1	1	1	1	-	22480-5	SPRING, COMPRESSION	36
-	1	1	1	1	-	690212-1	POST, RAM	35
-	1	1	1	1	-	690786-3	TERMINAL SUPPORT	34
-	2	2	2	2	-	2-21002-4	SCR, BTN SKT HD CAP 8-32 X .750	33
-	1	1	1	1	-	21024-5	WASHER, SPRG LOCK, REG NO 10	32
-	1	1	1	1	-	3-21000-4	SCR, SKT HD CAP 10-32 X .375	31
-	1	1	1	1	-	1320908-4	SPACER, STRIP GUIDE	30
-	1	1	1	1	-	1633091-9	ASSEMBLY, STRIP GUIDE	29
-	1	1	1	1	-	1-455888-0	SPACER, CRIMPER	28
-	1	1	1	1	-	21028-2	PIN, SLOTTED SPRING .062 X .250	27
-	1	1	1	1	-	5-547505-2	SPRING, COMPRESSION	26
-	1	1	1	1	-	1320928-1	PLATE, STRIP GUIDE	24
-	1	1	1	1	-	690472-2	STRIPPER	22
-	1	1	1	1	-	2-21000-7	SCR, SKT HD CAP 8-32 X .500	21
-	4	4	4	4	-	21024-4	WASHER, SPRG LOCK, REG NO 8	20
-	-	-	-	-	-	691353-1	STRIPPER	19
-	1	1	1	1	-	679625-2	SHEAR HOLDER, FRONT (NO CUT)	17
-	1	1	1	1	-	693855-2	FRONT STRIP GUIDE	15
-	1	1	1	1	-	3-22280-3	SPRING, COMPRESSION	12
-	1	1	1	1	-	690461-2	STOP, SHEAR	11
-	-	-	-	-	-	1-690459-0	SHEAR HOLDER, FRONT	10
-	1	1	1	1	-	318707-1	FLOATING SHEAR, FRONT	9
1	1	1	1	1	-	2-1633109-6	ANVIL, COMBINATION .080	8
-	1	1	1	1	-	240641-5	SPACER	7
-	1	1	1	1	-	854772-1	DEPRESSOR, SHEAR	5
-	1	1	1	1	-	2-238011-5	BLOCK, CRIMPER SPACER	4
1	1	1	1	1	-	1-1424909-3	CRIMPER, INSULATION F	3
-	1	1	1	1	-	455888-1	SPACER, CRIMPER	2
1	1	1	1	1	-	3-456405-4	CRIMPER, WIRE PREMIUM	1



DIMENSIONS:		TOLERANCES UNLESS OTHERWISE SPECIFIED:	
INCHES	0 PLC ±.01	1 PLC ±.01	2 PLC ±.01
	3 PLC ±.001	4 PLC ±.001	ANGLES ±.001
MATERIAL	FINISH	WEIGHT	CUSTOMER DRAWING

CUSTOMER VIEWABLE ASSEMBLY