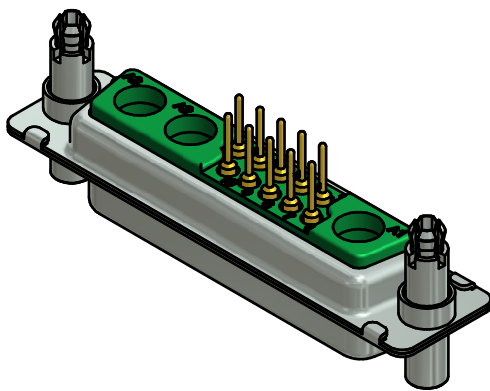
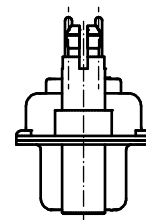
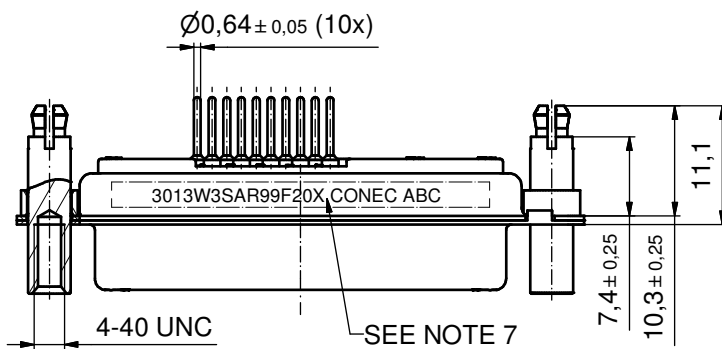
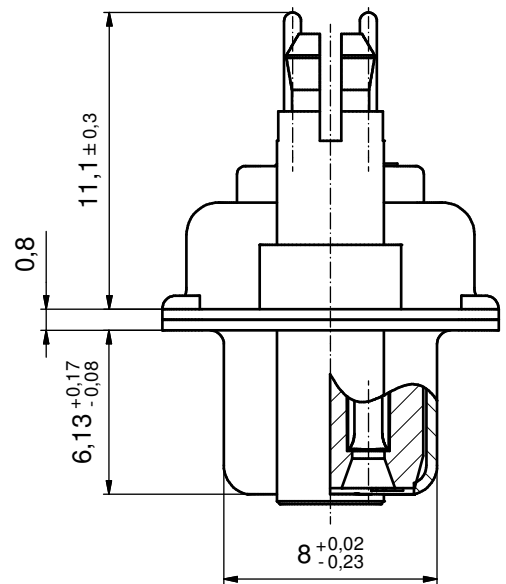


(5:1)



**NOTES:**

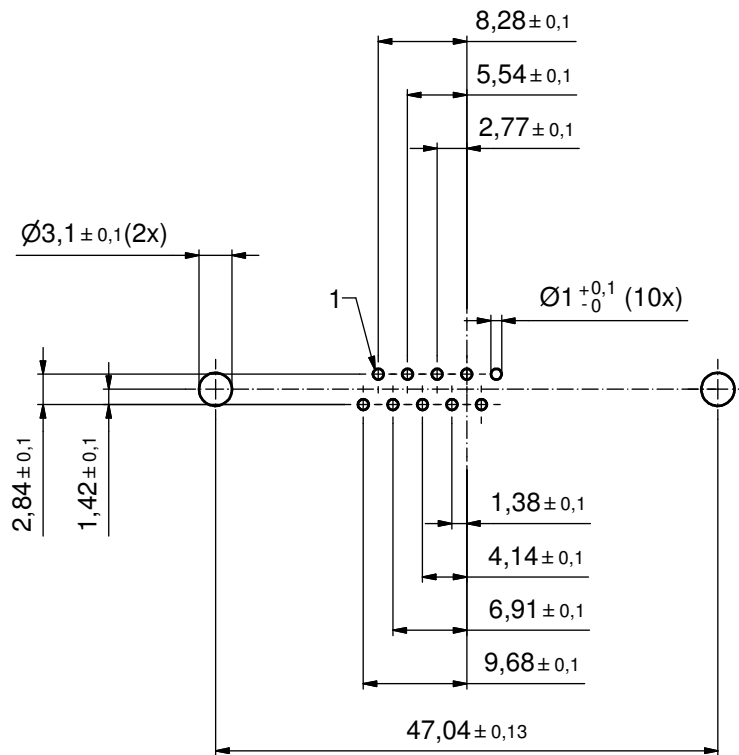
1. METALSHELLS: STEEL; min. 315µin TIN over 40-80µin NICKEL
2. INSULATORS: PBT GF UL 94 V-0, GREEN
3. SIGNAL CONTACTS: COPPER ALLOY  
PLATING: GOLD FLASH over NICKEL
4. NO CONTACTS ON POS. A1 - A3
5. THREADED LOCK AND SPACER CLIP: COPPER ALLOY; min. 200µin TIN over 80µin NICKEL  
PCB-HOLE:  $\phi 3.1 \pm 0.1$ ; PCB THICKNESS 1,6mm
6. MAXIMUM TORQUE VALUE FOR THREAD: 6 in.LB
7. CONNECTOR IS PART MARKED: 3013W3SAR99F20X CONEC ABC

Directive 2002/95/EC RoHS compliant

THIS DRAWING MAY NOT BE COPIED OR REPRODUCED IN ANY WAY, AND MAY NOT BE PASSED ON TO A THIRD PARTY WITHOUT WRITTEN PERMISSION. OWNERSHIP AND COPYRIGHT OF CONEC GmbH  DO NOT ALTER CAD DRAWING BY HAND				tolerance		scale: 2:1 (5:1)
				dim. in mm		material: SEE NOTES
				date	name	title:
				drawn 14.03.11	Henneboel	D-SUB COMBINATION FEMALE 13W3S with threaded lock and spacer clip
				appd. 14.03.11	Koch	
			norm		dwg no: Inventor 10	DIN-A3
			d-old		13K1A3614	sh: 1
			a	Origin	part no: 3013W3SAR99F20X	
rev.	description	date	name			

# P.C.B. HOLE DRILLINGS

( P.C.B. TPO SIDE )



THIS DRAWING MAY NOT BE COPIED OR REPRODUCED IN ANY WAY, AND MAY NOT BE PASSED ON TO A THIRD PARTY WITHOUT WRITTEN PERMISSION. OWNERSHIP AND COPYRIGHT OF CONEC GmbH DO NOT ALTER CAD DRAWING BY HAND				tolerance		scale: 2:1		
				dim. in mm		material: SEE SHEET 1		
	rev.	description	date	name	date	name	title: <b>P.C.B. HOLE DRILLINGS</b> D-SUB COMBINATION FEMALE 13W3S with threaded lock and spacer clip	
	a	Origin			drawn	14.03.11		Henneboel
					appd.	14.03.11		Koch
					norm			
					d-old			dwg no: Inventor 10
								DIN-A3
								sh: 2
								part no: SEE SHEET 1

