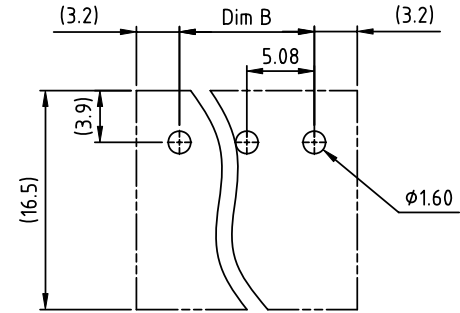
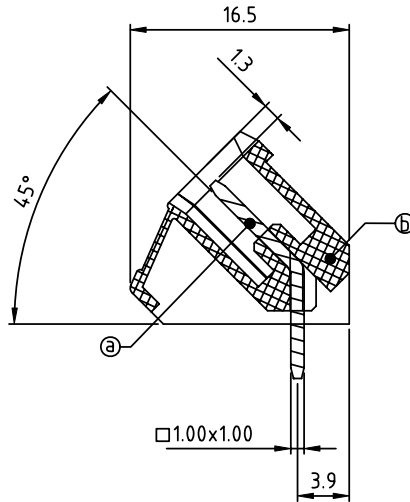
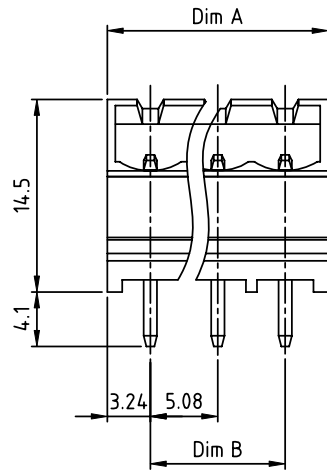
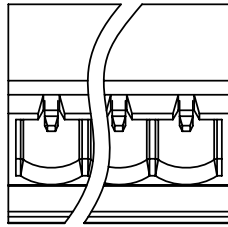


PRODUCT NUMBER	PITCH
VKxx51x000J0G	5.08 mm



RECOMMENDED P.C.B LAYOUT
TOP VIEW

Material:

- Item (a) Male contact pin: Copper Tin plated
- Item (b) Terminal (housing): Thermoplastic (UL94V-0)

Electrical:

- Voltage rating: 300V/300V/300V
- Current rating: 15A/17A/20A
- Withstanding Voltage: 1.6 KV/2.5KV/2.5KV
- Operating temperature: -40°C to +115°C
- Soldering temperature: 260°C±5°C/5 Sec
- Safety Approval:

PART NO.: VK xx 51 x 0 00J0 G

N = Number of poles
 Dim A=(N-1)x5.08+6.48
 Dim B=(N-1)x5.08

Poles	Dim A	Dim B
2-6p	±0.15	±0.10
7-12p	±0.20	±0.20
13-18p	±0.30	±0.25
19-24p	±0.40	±0.30

Solid block	No. of poles	Color	RoHS compliant
0	2	Black (RAL9005)	(lead<4%) In copper Alloy
02	3	Red (RAL3001/D)	
03	4	Orange(RAL2011/P)	
...	5	Yellow(RAL1018/A)	
...	6	Green(RAL6018/T)	
24	7	Blue (RAL5015/A)	
	8	Grey(RAL7035/D)	
	9	White(RAL1102)	
	C	Green(RAL6018/U)	

mat'l. code				surface ASME Y14.5 ✓		tolerance ASME Y14.5		projection 		product family TERMINAL BLOCK	
ltr ecn no dr date				tolerances unless otherwise specified		angles X±0.5 X.X±0.3 X*±1"		MM		title TERMINAL BLOCK	
								scale		PLUGGABLE SOCKET,CLOSE,45DEGREE INLET,WITHOUT FLANGE	
				dr EVIN ZHONG 042214		enr EVIN ZHONG 042214		chr HANKE FENG 042214		appd SHI JUN 042214	
										dwg no sheet 1 of 1 size VKxx51x000J0G A4	
										type CUSTOMER Drawing	
sheet index		revision sheet		A 1							