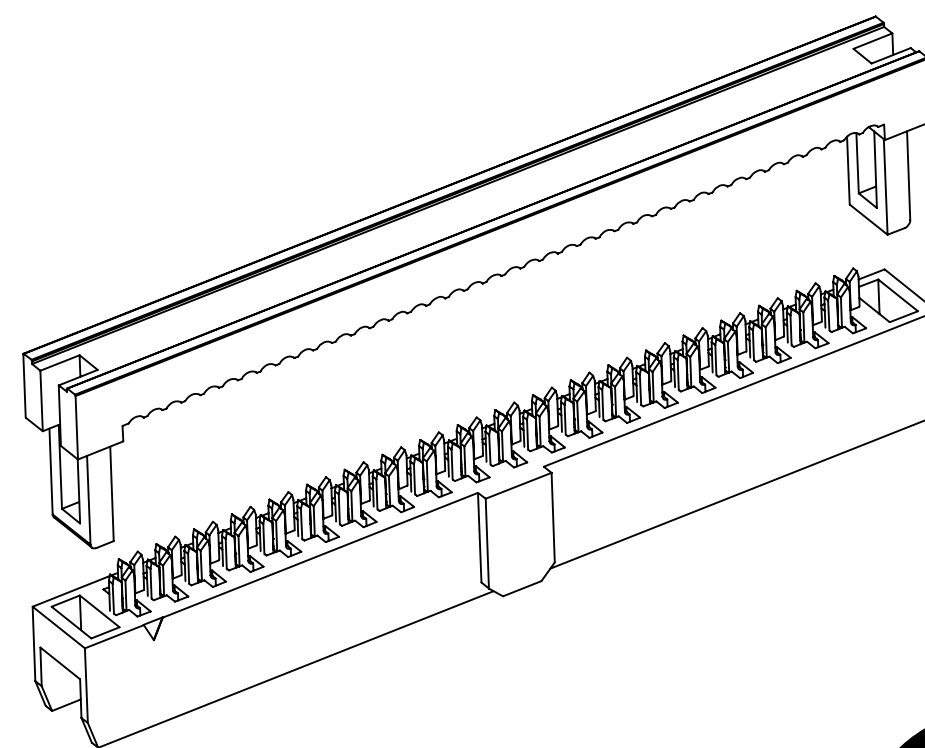
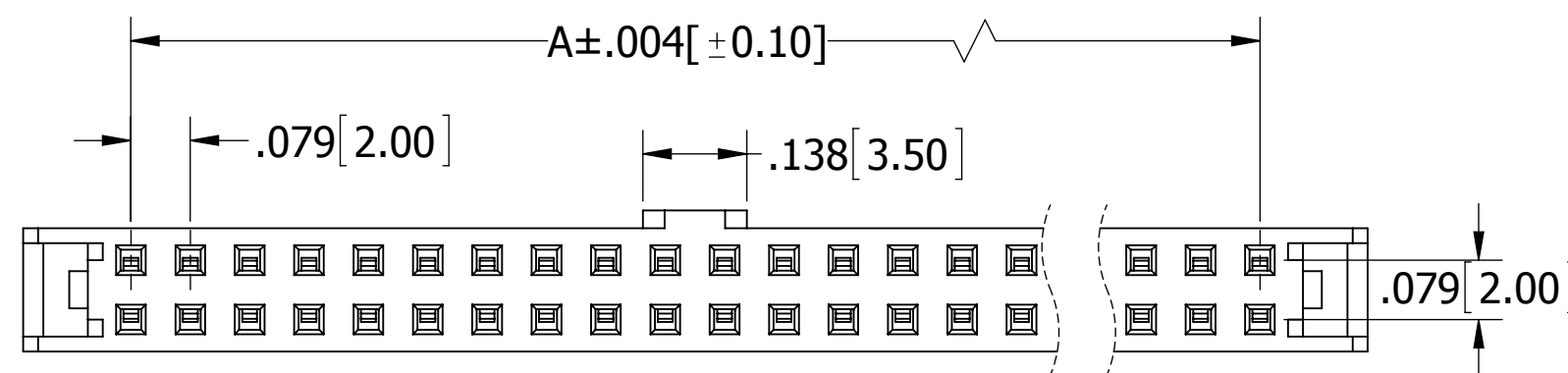
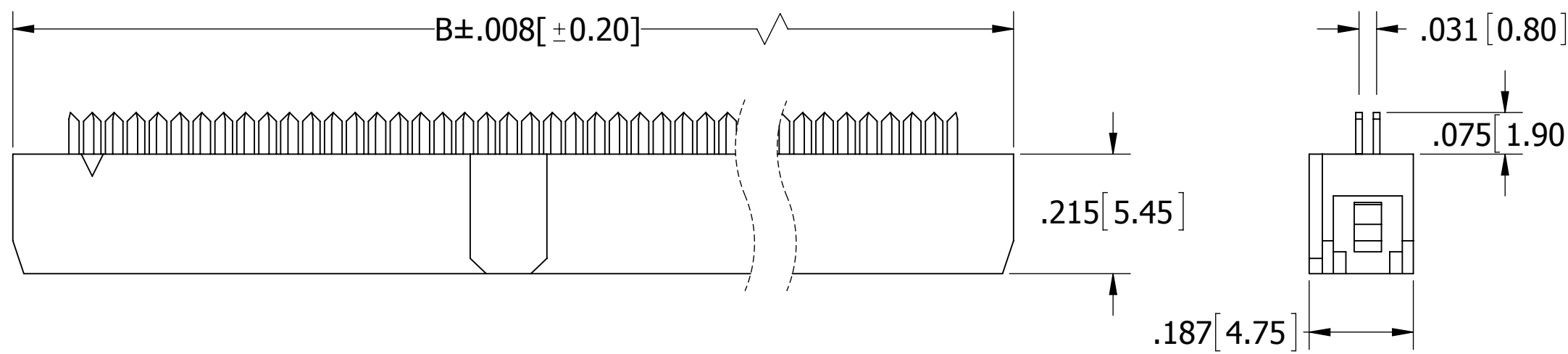
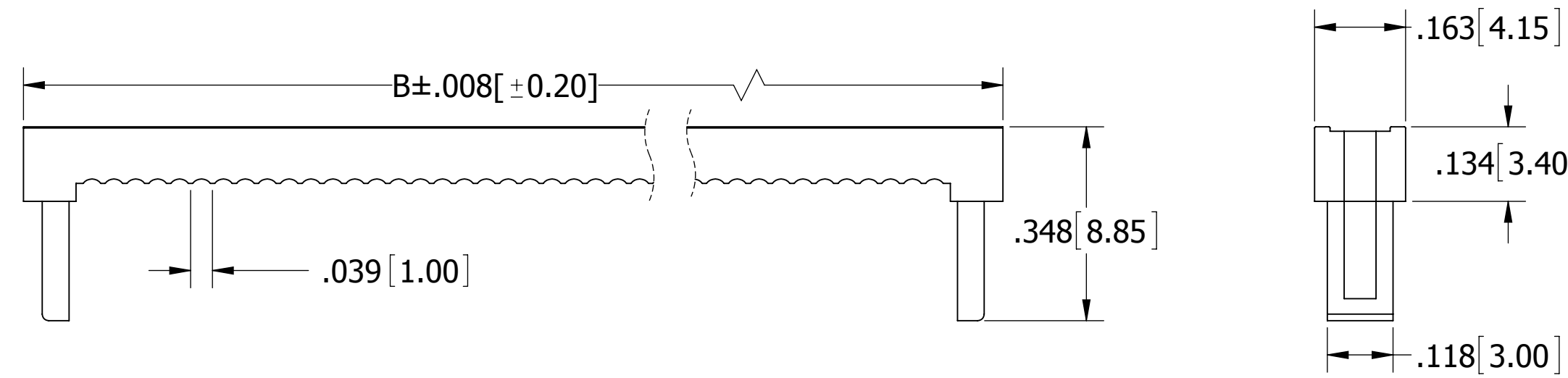


REVISIONS				
REV.	ECO. NO	DESCRIPTION	DATE	BY
C	1909	ADD 'V' PLATING, UPDATE NOTES.	2/4/2009	JH
D	2149	REMOVE "E" PLATING AND UPDATE NOTES 10	06/18/2010	LH
E	2613	ADD CONTACT RESISTANCE NOTE	7/2/2012	JH
F	2835	UPDATE NOTE 4(WAS OPERATING TEMP. -45°C TO +85°C)	04/07/2014	LH
H	3219	UPDATE INSULATOR COLOR OPTIONS	11/25/2015	MG

PART NUMBER CODING
SFH21-PP_N-D__-ID-BK

NUMBER OF POSITIONS
 (CONTACTS PER ROW)

PLATING
 P = GOLD FLASH OVERALL
 V = GOLD FLASH ON CONTACT SURFACE,
 NICKEL ON TERMINATION



PART NUMBER	POSITIONS/ CONTACTS	A		B	
		INCH	MM	INCH	MM
SFH21-PP_N-D03-ID-BK	03/06	0.157	4.00	0.443	11.25
SFH21-PP_N-D04-ID-BK	04/08	0.236	6.00	0.522	13.25
SFH21-PP_N-D05-ID-BK	05/10	0.315	8.00	0.600	15.25
SFH21-PP_N-D06-ID-BK	06/12	0.394	10.00	0.679	17.25
SFH21-PP_N-D07-ID-BK	07/14	0.472	12.00	0.758	19.25
SFH21-PP_N-D08-ID-BK	08/16	0.551	14.00	0.837	21.25
SFH21-PP_N-D09-ID-BK	09/18	0.630	16.00	0.915	23.25
SFH21-PP_N-D10-ID-BK	10/20	0.709	18.00	0.994	25.25
SFH21-PP_N-D11-ID-BK	11/22	0.787	20.00	1.073	27.25
SFH21-PP_N-D12-ID-BK	12/24	0.866	22.00	1.152	29.25
SFH21-PP_N-D13-ID-BK	13/26	0.945	24.00	1.230	31.25
SFH21-PP_N-D15-ID-BK	15/30	1.102	28.00	1.388	35.25
SFH21-PP_N-D17-ID-BK	17/34	1.260	32.00	1.545	39.25
SFH21-PP_N-D20-ID-BK	20/40	1.496	38.00	1.781	45.25
SFH21-PP_N-D22-ID-BK	22/44	1.654	42.00	1.939	49.25
SFH21-PP_N-D25-ID-BK	25/50	1.890	48.00	2.175	55.25
SFH21-PP_N-D30-ID-BK	30/60	2.283	58.00	2.569	65.25
SFH21-PP_N-D34-ID-BK	34/68	2.598	66.00	2.884	73.25

- NOTES:**
- INSULATOR MATERIAL: PBT 30% GLASS FIBER, BLACK
 - CONTACT MATERIAL: PHOSPHOR BRONZE
 - PLATING: SEE PART NUMBER CODING
 - OPERATING TEMPERATURE: -40°C TO +105°C
 - UL FLAMMABILITY RATING: 94V-0
 - CURRENT RATING: 1 AMP
 - INSULATION RESISTANCE: 1,000M OHMS MIN.
 - CONTACT RESISTANCE: 30 MILLIOHMS MAX.
 - DIELECTRIC WITHSTANDING: 500 VAC
 - MATES WITH SBH21 SERIES
 - FOR .039"[1.00mm] PITCH FLAT CABLE, 26 - 28 AWG WIRE RANGE



UNLESS OTHERWISE SPECIFIED: DIMENSIONS ARE IN INCHES [MM]		DRAWN	DATE	NAME	
TOLERANCES: ANGULAR: ± 1° DECIMALS .XX = ± .012 [.3] .XXX = ± .008 [.20] .XXXX = ± .0040 [.100]		10/28/08	JH	JH	
THE INFORMATION HEREIN CONTAINS PROPRIETARY INFORMATION OF SULLINS ELECTRONICS AND IS NOT TO BE REPRODUCED, USED OR DISCLOSED TO OTHERS FOR ANY PURPOSE EXCEPT AS SPECIFICALLY AUTHORIZED IN WRITING BY AN OFFICER OF SULLINS ELECTRONICS.					TITLE
					HEADER FEMALE, .079[2.00] CC
					PART NUMBER
					SFH21-PP_N-D__-ID-BK
SIZE	CAGE CODE	DWG. NO.		REV	
C	54453	11154		H	
SCALE: 2:1				SHEET 1 OF 1	