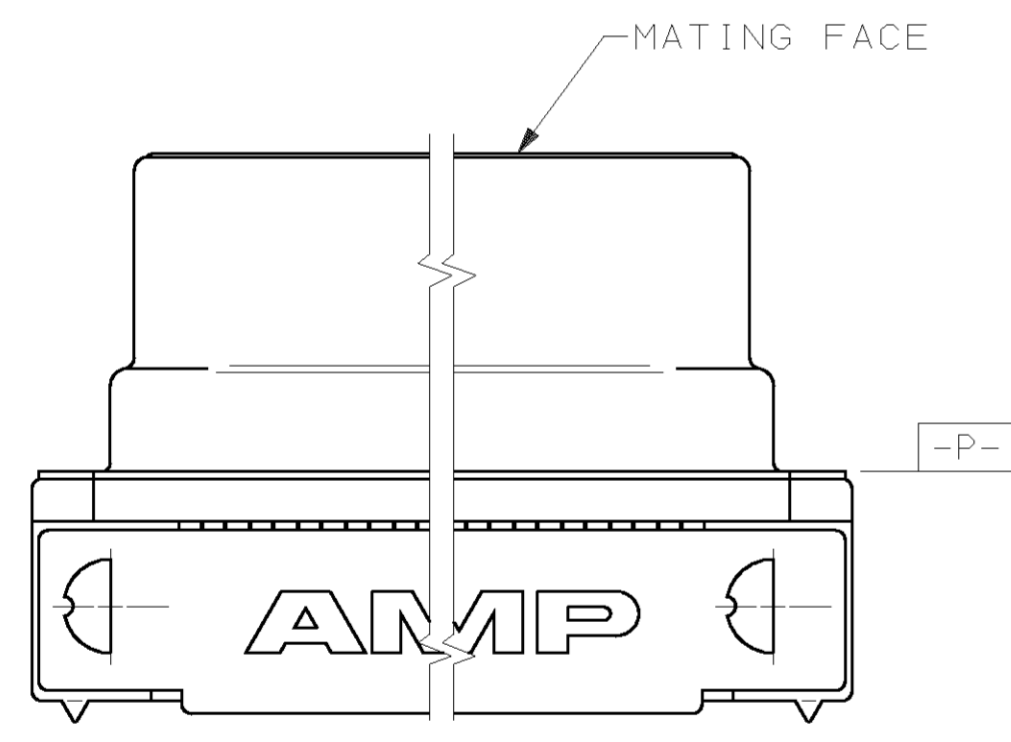
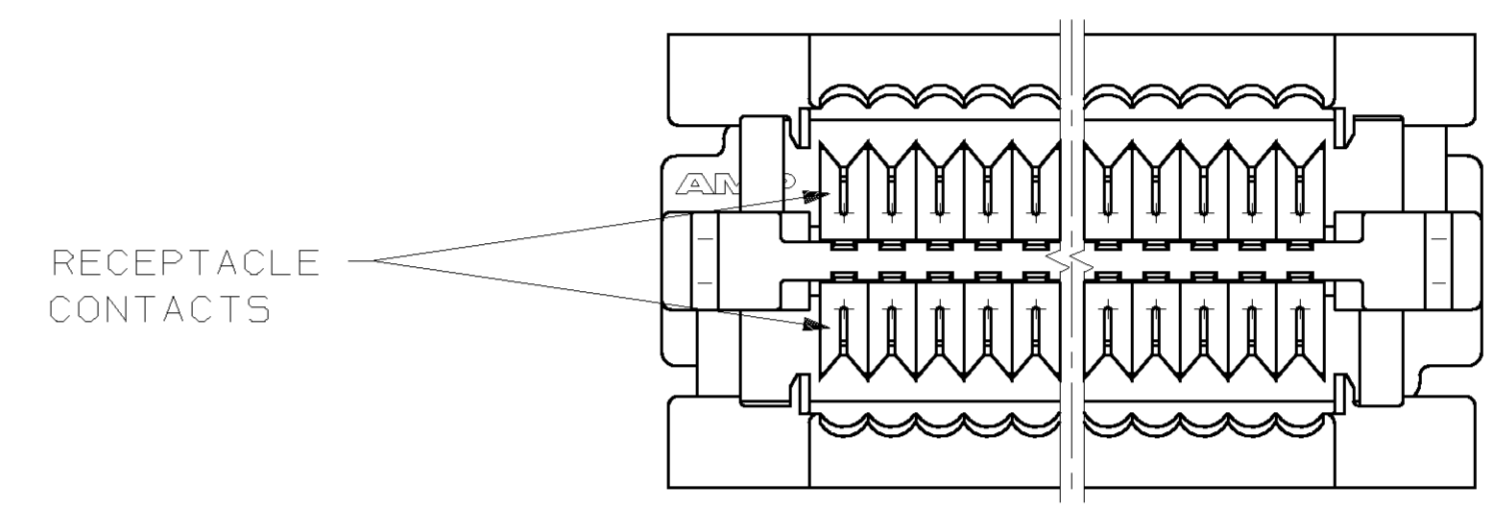
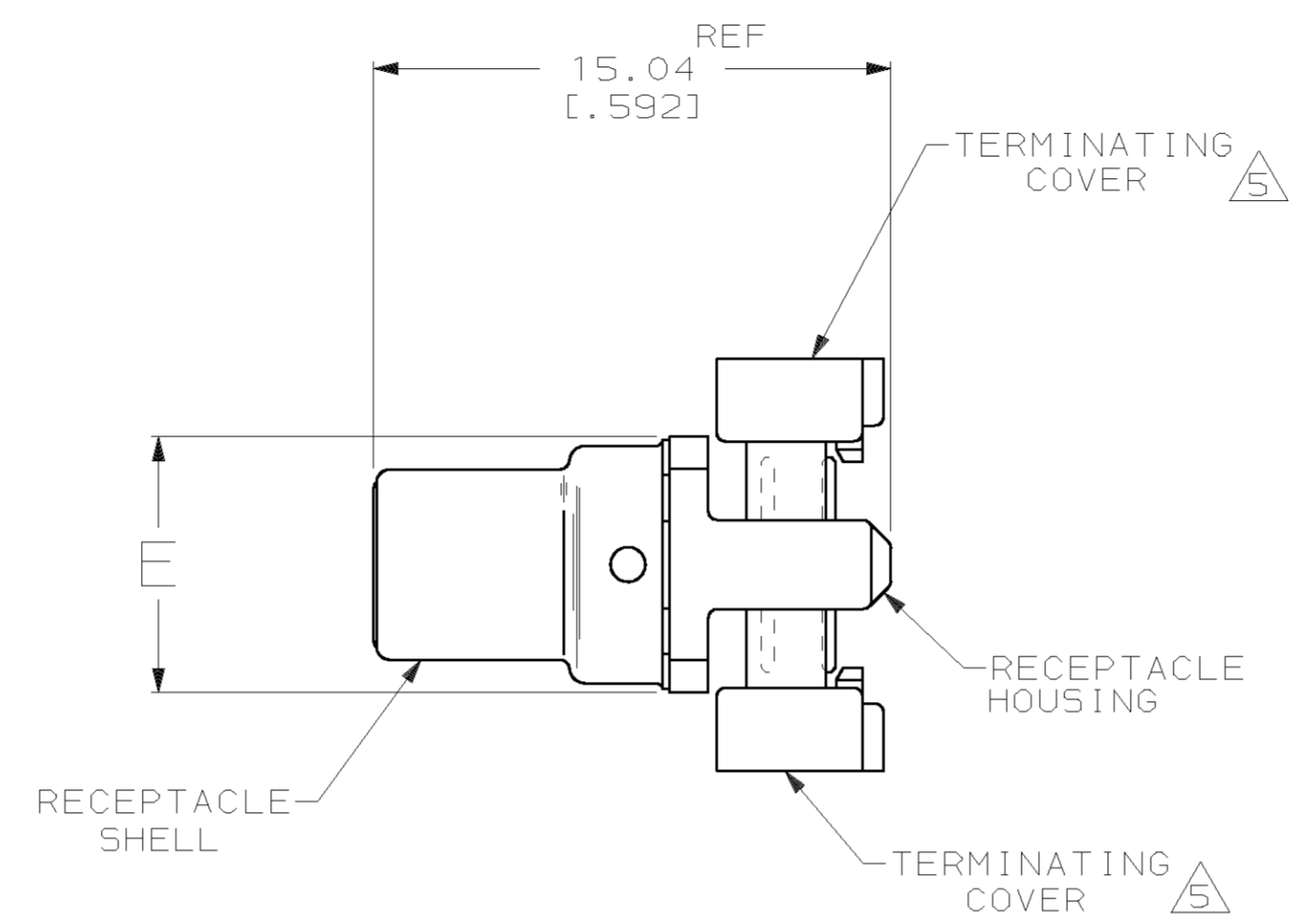
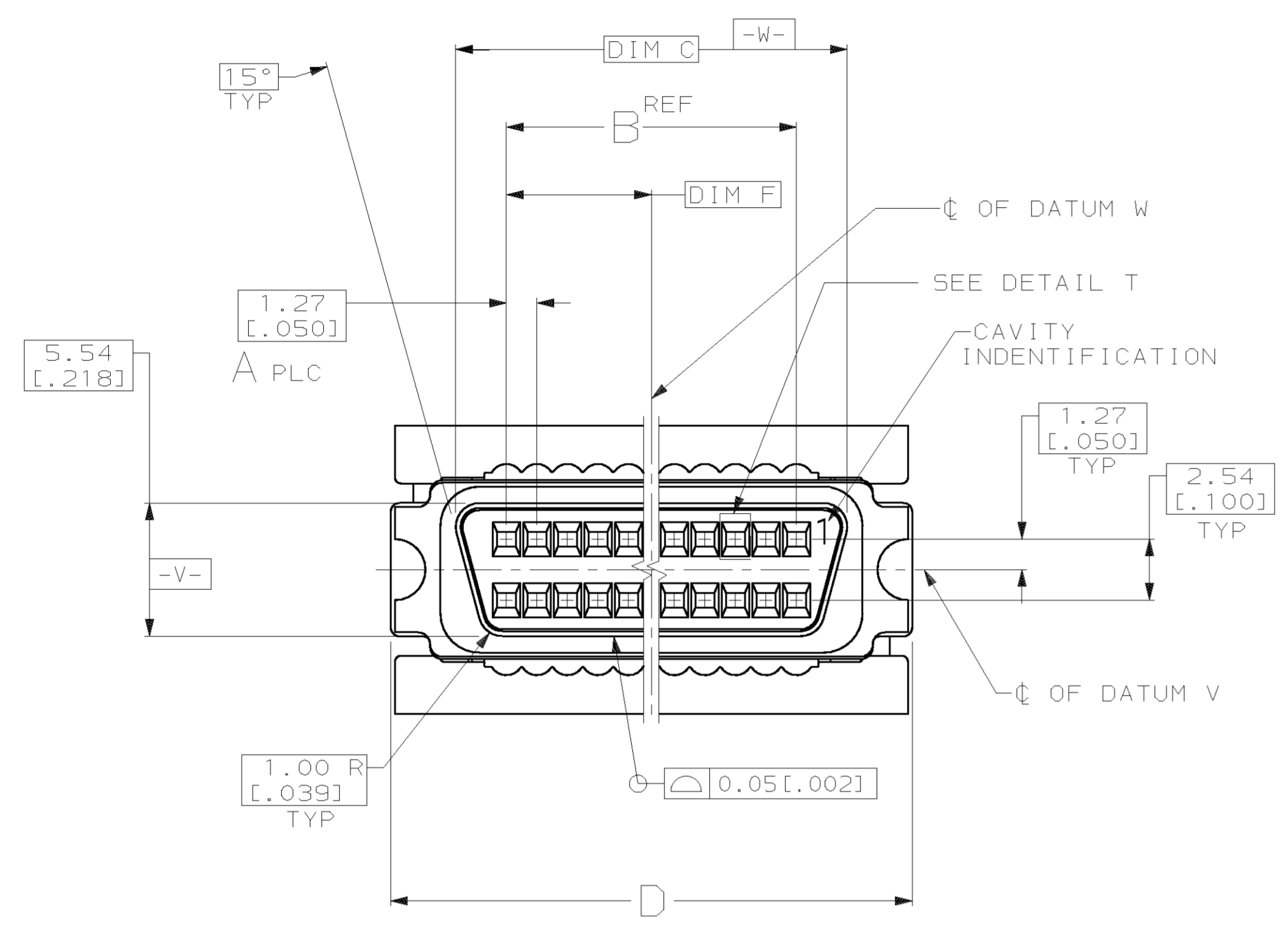
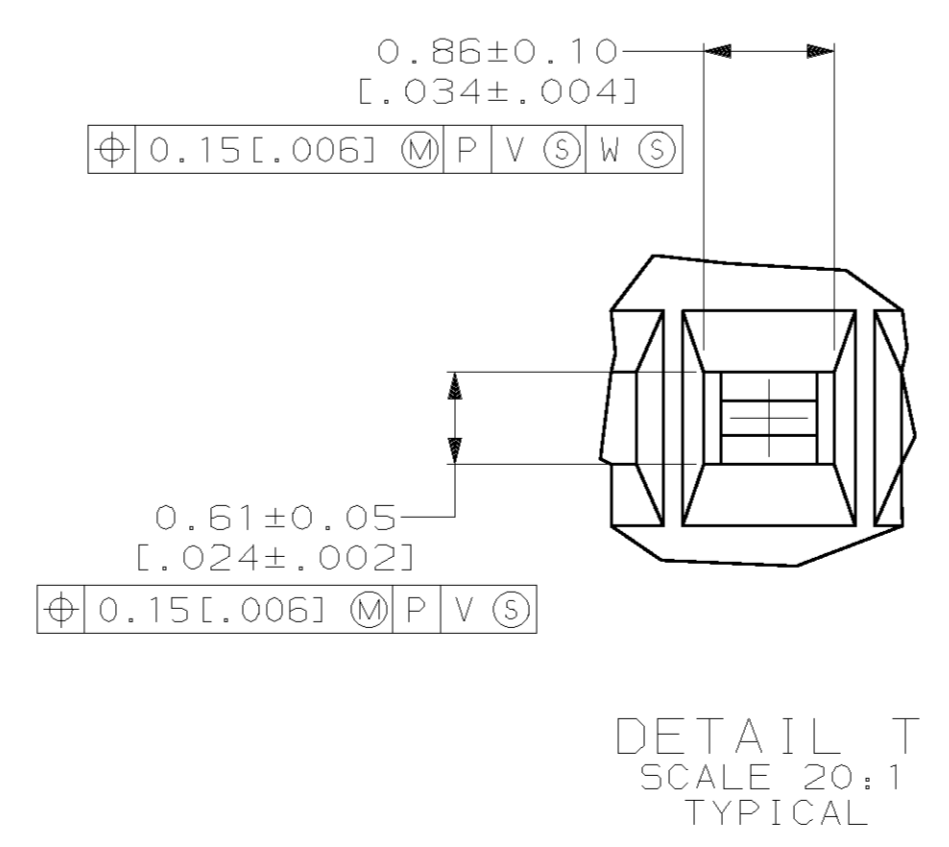


LOC		DIST		P		ZONE		LTR		REVISIONS			
GP	00									DESCRIPTION	DATE	APPD	
										L	REVISED PER EC 0513-0174-03	16JUN03	JG



- 1 MATERIAL:  
 RECEPTACLE CONTACTS- PHOSPHOR BRONZE  
 RECEPTACLE SHELL- STEEL  
 RECEPTACLE HOUSING AND TERMINATING COVERS- UL V-O RATED THERMOPLASTIC,  
 COLOR: BLACK.
- 2 FINISH:  
 RECEPTACLE CONTACTS- 0.00076 [.000030] MINIMUM GOLD PLATE IN CONTACT AREA,  
 0.00127 [.000050] MINIMUM BRIGHT TIN-LEAD PLATE IN TERMINATION AREA,  
 ALL OVER 0.00127 [.000050] MINIMUM NICKEL.
- 3 PLATING:  
 RECEPTACLE SHELL- 0.00508 [.000200] MINIMUM BRIGHT NICKEL PLATE OVER  
 0.00127 [.000050] MINIMUM COPPER.
- 4. RECOMMENDED WIRE:  
 28 AWG OR 30 AWG, SOLID OR 7 STRANDED, WITH A 0.74-0.91 [.029-.036]  
 INSULATION DIA, WIRE MUST BE APPROVED BY AMP INCORPORATED.
- 5 TERMINATING COVERS ARE PACKAGED SEPERATELY.
- 6 OBSOLETE PART NUMBER.
- 7 FINISH:  
 RECEPTACLE CONTACTS- 0.00076 [.000030] MINIMUM GOLD PLATE IN CONTACT AREA,  
 0.00300 [.000100] MINIMUM BRIGHT TIN PLATE IN TERMINATION AREA,  
 ALL OVER 0.00127 [.000050] MINIMUM NICKEL.



**OBSOLETE**

7	20.96 [.825]	7.44 [.293]	51.54 [2.029]	46.13 [1.816]	41.91 [1.650]	33	68	1-749699-1
7	15.24 [.600]	7.44 [.293]	40.11 [1.579]	34.70 [1.366]	30.48 [1.200]	24	50	1-749699-0
2	10.80 [.425]	7.44 [.293]	31.22 [1.229]	25.81 [1.016]	21.59 [.850]	17	36	749699-9
2	31.12 [1.225]	9.47 [.373]	71.86 [2.829]	64.45 [2.536]	62.23 [2.450]	49	100	749699-8
2	20.96 [.825]	7.44 [.293]	51.54 [2.029]	46.13 [1.816]	41.91 [1.650]	33	68	749699-7
2	15.24 [.600]	7.44 [.293]	40.11 [1.579]	34.70 [1.366]	30.48 [1.200]	24	50	749699-5
2	12.06 [.475]	7.44 [.293]	33.76 [1.329]	28.35 [1.116]	24.13 [.950]	19	40	749699-4
2	7.62 [.300]	7.44 [.293]	24.87 [.979]	19.46 [.766]	15.24 [.600]	12	26	749699-2
CONTACT FINISH	F	E	D	C	B	A	NO OF POSN	PART NO

DO NOT SCALE PRINT. UNLESS SPECIFIED DIMENSIONS IN mm [INCHES] TOLERANCES ON: 2 PLC DEC ± 0.13 [.005] 3 PLC DEC ± - ANGLES ± -		DR 05/31/89 M.MCCAFFREY CHK 06/02/89 WAYNE DAVIS APPD 06/02/89 DAVID GRIESEMER APPD 06/02/89 ROBERT WHITEMAN		AMP INCORPORATED Harrisburg, Pa. 17105	
MATERIAL 1		PRODUCT SPEC 108-1228		NAME KIT, RECEPTACLE CABLE CONNECTOR ASSEMBLY, AMPLIMITE®.050 Series	
FINISH SHELL: 3 CONTACTS: SEE TABLE		APPLICATION SPEC 114-40029		SIZE D	CAGE CODE 00779
WEIGHT		SCALE 4:1		DRAWING NO 749699 SHEET 1 OF 1	